

**CH**  
Cooper & Hunter

series  
**MALDIVES**  
models  
CH-3040

# ІНСТРУКЦІЯ З ЕКСПЛУАТАЦІЇ

Designed by C&H International Corporation Oregon  
[www.cooperandhunter.com](http://www.cooperandhunter.com)







## Instruction manual Інструкція з експлуатації

Ультразвуковий  
зволожувач  
повітря

*Ultrasonic air  
humidifier*

Модель/Model: CH-3040

**CH**  
**Cooper & Hunter**

Outlook of devices, also colour scores can be revised without any special advance notices.

Виробник має право змінювати зовнішній вигляд і колір приладу без спеціального повідомлення.

## CONTENTS

1.	Important information	2
2.	Safety measures	2
3.	Technical characteristics	3
4.	Description of the unit	4
5.	Scope of delivery	6
6.	Operation of the unit	6
7.	Cleaning and maintenance of the unit	7

### Dear customer!

**Thank you for your good choice and purchase of a Cooper&Hunter humidifier. It will serve you for a long time!**

## 1. IMPORTANT INFORMATION

To improve product quality, its design, scope of delivery or manufacturing process can be revised without advance notice.

The text and digital notations in this manual may have misprints.

Should you have any questions on the functioning and operation of the device, please refer to the seller or a specialized service center to receive clarification.

Use the device only for purposes, stated in this manual.

The air humidifier is intended to automatically maintain the preset level of relative humidity indoors and for air purification. Comfortable conditions are achieved at relative humidity ranging from 40 to 60%.

Insufficient air humidity results in drying of mucous membranes, which in its turn is the reason for decrease in immunity, headache, lip cracking, «sandpaper» in the eyes, it also enables infection spreading and respiratory tract diseases, causes fatigue, results in increased eye fatigue and worsening of attention focusing, it has a negative effect on the condition of pets and house plants, causes increase of dust generation and, increase of electrostatic charge of synthetic fabrics, as well as carpets and synthetic floor coatings, it causes damage of wooden furniture and especially parquet floors, it negatively affects tuning of musical instruments.

## 2. SAFETY MEASURES

Read all instructions carefully prior to using the device for the first time. To avoid electric shock or injury when using this device, always observe key safety precautions including the following ones:

- Make sure that the operating voltage, specified in the device's passport,

matches the voltage of your electric mains.

- Prior to using the device, read operation guidelines carefully.
- Do not use in areas where flammable or explosive materials are stored.
- Do not place this device in direct sunlight or near objects that generate high temperature heat. The heat may cause deformation or warping of the outer casing. Do not operate the unit without water in the basin.
- Do not insert foreign objects into the device. Do not touch the transducer or the lower water basin when the unit is operating. Do not scratch the transducer.
- Do not submerge this device in water. Water or cleaning liquids may only be used on parts to be cleaned according to the cleaning and maintenance instructions.
- Only use lime scale remover or vinegar to clean mineral deposits from the basin or transducer. Do not use any harsh detergents that may damage the unit.
- If you smell an abnormal odour please turn off and unplug the unit and call Cooper&Hunter technical support.
- Do not use fabrics or other materials to cover this device. Obstructed air inlets and outlets will result in improper operation of this unit and may result in fire or other damage.
- Do not plug in or pull out the power cable with wet hands. Do not disassemble the base unit. Before cleaning and maintenance, the appliance must be disconnected from the main supply. Do not touch water and components in the water basin when the unit is working.
- Do not allow children to play with any product packaging, such as plastic bags.
- To avoid fire hazard, NEVER put the cord under rugs, near heat registers, radiator, stoves, or heaters.
- Do not attempt to refill humidifier without first unplugging the unit from its electrical outlet.
- DO NOT operate any appliance with a damaged cord or plug, after the appliance malfunctions, or if it has been dropped or damaged in any manner. Return appliance to manufacturer for examination, electrical or mechanical adjustment, or repair.
- Use appliance only for intended household use. DO NOT use outdoors.
- Humidifier should be unplugged when not in use.
- DO NOT attempt to repair or adjust any electrical or mechanical functions on this unit. Doing so will void your warranty. The inside of the unit contains no user serviceable parts. All servicing should be performed by qualified personnel only.

- The inner ultrasonic transducer is highly sensitive. Do not touch it with bare fingers or scrape it with metal tools, or it will reduce mist output. When cleaning this area please use a small cleaning brush, cotton swab or toothbrush. Do not use hot water as it may damage the missing parts.
- Children should be supervised to ensure that they do not play with the appliance.
- To prevent interference and damage to other electronic devices, this machine should be placed at least 1 meter away from a computer, television, radio or other electronic equipment.

### 3. TECHNICAL CHARACTERISTICS

Table 1

Discription	Unit	Value
Capacity of humidity	ml/h	300±20%
Power supply	V/Hz	220-240~/50
Water tank	l	4.0
Rated power consumption	W	25
Noise level	dB(A)	≤37
Protection class	-	IP20
Class protection against electric shock	-	E
Device dimensions	mm	175x290x285
Net weight	kg	2.72
Service area	m²	30-40

The manufacturer reserves the right to change the set-list of the device (including liquid and powder components) for different supplies without prior notice. The changes either in no way influence the basic technical parameters of the device or may improve them, and also not violate the legislation or quality standards of the countries of manufacture, transit and selling.

The changes in the set-list may result in changing of the weight and dimensions of the device, but not more than by +/- 5-20% (depending on the product category)

## 4. DESCRIPTION OF THE UNIT

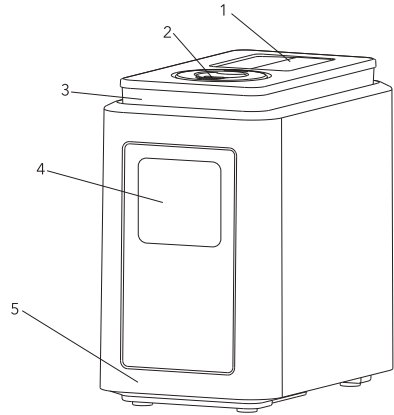
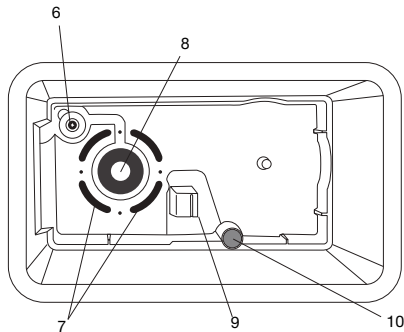


Fig. 1 Device

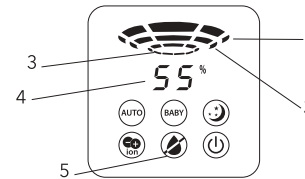


1. Handle for carrying tank
2. Steam sprayer
3. Water tank
4. Display
5. Base
6. Float to determine the water level
7. Highlighting windows
8. Misting diaphragm
9. Hole for air blowing fan
10. Hole for overflow

### Working Principle

Ultrasonic Humidifier uses the ultrasonic high-frequency oscillator to break up water into tiny water particles with the diameter of about 1-5um. The ventilation system blows out this water into the dry air where they evaporate to give the required humidity. The clearly visible smooth and even fog can be seen out of the unit.

## FRONT PANEL AND LED DISPLAY



13 - Fan icon      6 - Light icon

12 - AUTO/BABY icon      7 - Clock icon

11 - Moon icon      8 - 55% icon

10 - Fan icon      9 - Power icon

Fig. 3 Control panel

## DESCRIPTION OF FRONT PANEL AND LED DISPLAY

### Control panel

1. Maximum evaporation rate
2. The average evaporation rate
3. Minimum evaporation rate
4. Hygrometer
5. Low water indicator
6. On / off tank illumination (night light)
7. Off Timer (1 - 12 hours)
8. Manual setting of the humidity level
9. On / off device
10. On / off ionization mode
11. Night mode
12. Kid / Auto mode
13. Manual Mode / Evaporation Rate

### Directions for use

Prior to the first use, especially if outdoor temperature is below zero, let the device heat up at room temperature for 1 hour. It is recommended to use the device at temperature ranging from 5°C to 40°C, and relative humidity not more than 80%. Use only clean water with temperature not more than 30°C. Prior to a switching the device off for a long time (more than 2 days), drain water from the water tank. Read instructions how to clean the humidifier in section «Recommendations on maintenance of the device».

### CONTROL OF THE DEVICE



- On / Off Button (9):

If the device is plugged in, the "On / Off" indication on the device display automatically lights up. To turn on the device, press the "On / Off" button. The hygrometer of the device will show the current humidity in the room, and the device will start working with the Average evaporation rate by default. Press this button to turn off the instrument



- Setting the humidity level in manual mode (Hygrostat function) (8)  
This button only works in Manual mode. Press this button to set the desired level of humidity in the room. The hygrometer on the instrument display will flash.

When first pressed, the "OL" indication will appear - this means that the humidity limit has not been set, and the device will work until the water runs out. On the second press, the hygrostat sets the desired humidity limit to 40%. Each subsequent press increases the limit by 10% until "OL" appears on the display. If within 5 seconds you do not perform any actions, the device will perceive the selected humidity level as desired, and the Hygrometer will again show the current humidity in the room. You can see which humidity was set earlier by pressing this button once - the previously set desired humidity level flashes on the display. If you want to change it, click the button again.

When the desired level of humidity is reached, the device will continue to operate with minimum evaporation rate. If the desired humidity level is not reached, the device continues to operate at the intensity specified by the "Manual / Evaporation Rate" button.

When choosing the desired humidity, keep in mind that the humidity in the immediate vicinity of the device is always higher.



- Button for setting the timer operation time (7):  
This button allows you to set the duration of the device operation in the range from 1 to 12 hours. Press this button to select the duration of the instrument. The hygrometer on the display will be replaced by flashing timer numbers. Set the desired duration of work by successively pressing the "Timer 1-12 hours" button. If within 5 seconds you do not perform any actions, the device will set the timer to the selected duration, and the Hygrometer will be displayed again. When you select the duration of the work "00" timer is off. In Night mode, the timer is preset for 8 hours, so when you press the Night mode button, the device will automatically turn off after 8 hours if you have not specified a different duration of operation. If the timer is set, but you have chosen a different mode of operation or the water has expired, the timer is automatically reset.



- Tank light (6):  
Press this button to turn on the tank under-light. Pressing it again will turn off the backlight. The function is available regardless of the amount of water in the tank.



- Manual Mode / Evaporation Rate (13):  
It is a button for selecting one of four mutually exclusive modes of operation. When you turn on the device Manual mode is the default operation mode. Pressing this button takes the device to Manual mode, canceling the settings of other modes and automatically setting the device to the minimum evaporation rate.

Pressing this button again sets the device to an average evaporation rate — the second concentric circle lights up at the top of the display. To set the maximum evaporation rate, press the button a third time. Pressing it again will return you to the minimum level of evaporation. The button “Setting the humidity level in the manual mode” works only when the Manual mode is selected.



• **Automatic mode / Child mode (12):**

It is a button for selecting one of four mutually exclusive modes of operation. Press this button to switch the instrument to Automatic mode. The evaporation rate in this mode is presented in Table 2. Repeated pressing of this button takes the device to Children’s mode with a preset humidity of 55%, recommended for young children. If you want to return to Automatic mode, click this button again.

Table 2

Humidity	Evaporation rate
before 40%	Maximum
40%-60%	Average
over 60%	Minimum



• **Night mode (11):**

It is a button for selecting one of four mutually exclusive modes of operation. Press this button to reset the instrument. Pressing this button went to the SMART night mode. If within 5 seconds after pressing this button you do not perform any actions, the device switches to Night mode, the display of the device turns off, and only the corresponding indication remains on. In this mode, the timer will automatically turn on, set to 8 hours. The evaporation rate in this mode is shown in Table 2. If any button is pressed in the SMART Night mode, except “On / Off”, the Hygrometer will show the current humidity in the room, then after 5 seconds the Display will turn off again. Double pressing of the button “Manual mode / Evaporation rate” or “Automatic mode / Child mode” will activate another mode. Pressing the “On / Off” button will turn off the instrument. When you turn on the settings again, you will need to set it again.



• **Ionization (10)**

This button includes an ionizer that compensates for the lack of negatively charged ions (anions) in the air.

Anions strengthen the nervous and circulatory systems, improve lung function and provide protection against respiratory diseases (such as pneumonia and asthma).



• **Automatic shutdown in case of insufficient water level (5):** This indication lights up when water is running out in the device. To avoid overheating of the ultrasonic membrane, the device shuts off automatically.

## 5. SCOPE OF DELIVERY

1. Air humidifier - 1 pc.
2. Brush for cleaning membranes - 1pc.
3. Operation manual - 1 pc.
4. Filter - 1 pc.

## 6. OPERATION OF THE UNIT

1. Holding the handle, remove the water tank from the device (see fig. 1)
2. Turn the water tank upside down and unscrew the tank lid by turning it counterclockwise.



**NOTE:**

The filter cartridge is attached to the water tank cap. If you are not going to use the filter, you should remove it by turning it counterclockwise.

3. Pour clean water into the tank. For this model it is recommended to use demineralized water. Do not over-fill the tank! After filling, close the tank cap, turning it clockwise.
4. Place the tank back into the device.



**NOTE:**

Do not pour water into the base of the device - it may fall into the hole for overflow, and the surface under the device becomes wet. An overflow hole is provided in order to eliminate the risk of water entering the electronic components of the device through an air-blowing hole (Fig.2).



### IMPORTANT!



When moving the humidifier, always hold the device by the base (Fig. 1), in order to avoid the fall of the part of the device, with the main electronic components. If there is water in the device, in order to avoid its entry into the electronic units through the air outlet (Fig. 2), keep it horizontal.

5. Insert the power cord into the socket, and use the buttons on the front panel to operate the device.

The functions and meanings of the buttons can be found in the "Control of the device" section.

### IMPORTANT!



Never run the unit when there is no water in water basin

## 7. CLEANING AND MAINTENANCE OF THE UNIT

### IMPORTANT!



Always switch off and unplug the unit before cleaning

You can ensure many years of trouble free operation of your humidifier by following a few simple maintenance procedures.

If your water is hard, containing high concentrations of calcium and other minerals, then over a period of time white dust will start to deposit on the various surfaces in the room. A white, film-like substance will also start to develop in the water basin, on the transducer and on the inner surface of the water tank. This white film will impede the proper function of the transducer and the operation of the machine.

We recommend the following:

- 1) Use cold boiled water or distilled water.
- 2) Clean the transducer, water tank and basin unit every week.
- 3) Change the water in water tank more often to keep it fresh.
- 4) Make sure to pull out the water from the water tank and dry the water basin before you store the unit unused for a long period of time.
- 5) Clean the whole unit and make sure that all parts of the unit are dried completely before unused for longer period of time.

How to clean the transducer:

- 1) Put 5-10 drops of cleaning abluent on the surface of the transducer, wait for 2-5 minutes.
- 2) Brush off the scale from the surface.
- 3) Rinse the transducer with clean water.
- 4) Never use sharp or solid objects for cleaning the transducer.

How to clean the basin unit:

- 1) Clean the water basin with soft cloth .if there is excess film on the surfaces, then soak the cloth with vinegar and repeat the process.
- 2) If there is a film in any of the depressions along the basin ,drop a bit of vinegar into depression and clean it out with a brush.
- 3) Rinse the water basin with clean water.

### IMPORTANT!



Failure to comply with the rules of the section "Cleaning and servicing the device" can lead to the development of micro-organisms, bacteria inside the pan. That will lead to unpleasant smells and violation of hygienic norms.

Use as much as possible pure water! Water often contains calcium salts, rust particles and other chemical elements. Such elements are able to settle on the internal surfaces of the device, which can lead to breakdown or difficulties during routine maintenance of the instrument.

## ЗМІСТ

1. Важлива інформація	8
2. Запобіжні заходи	9
3. Технічні характеристики	10
4. Опис приладу	11
5. Комплектація	13
6. Експлуатація приладу	13
7. Чистка та обслуговування приладу	14
8. Гарантійні зобов'язання	15
9. Пошук та усунення несправностей	16

## Шановний користувач!

Ви обрали продукт від **Sooreg&Hunter** який, ми сподіваємося, принесе Вам багато радості в майбутньому. **Sooreg&Hunter** прагне запропонувати якомога ширший асортимент якісної продукції, який зможе зробити Ваше життя ще більш зручним. Уважно вивчіть цей посібник, щоб правильно використовувати Ваш новий ультразвуковий зволожувач повітря і насолоджуватися його перевагами. Ми гарантуємо що він зробить Ваше життя набагато комфортніше, завдяки легкості у користуванні. Нехай щастить!

## 1. ВАЖЛИВА ІНФОРМАЦІЯ

Виробник залишає за собою право без попереднього повідомлення покупця вносити зміни в конструкцію, комплектацію або технологію виготовлення виробу з метою поліпшення його властивостей. У тексті та цифрових позначеннях цього посібника можуть бути допущені помилки. Якщо після прочитання керівництва у Вас залишаться питання по роботі і експлуатації приладу, зверніться до продавця або в спеціалізований сервісний центр для отримання роз'яснень. Використовуйте прилад тільки за призначенням, зазначеному в цьому посібнику. Зволожувач повітря призначений для підтримки сприятливого рівня вологості повітря в приміщенні. Комфортні умовид досягаються при відносній вологості повітря від 40 до 60%. Недостатня вологість повітря призводить до висушування слизових оболонок, що в свою чергу є причиною зниження імунітету, головного болю, розтріскування губ, печіння в очах, сприяє розвитку інфекції і захворювань дихальних шляхів, викликає втому, призводить до підвищеної втоми очей і погіршення концентрації уваги, негативно впливає на стан домашніх тварин і кімнатних рослин, призводить до посилення пилоутворення, підвищенню електростатичного заряду синтетичних тканин, а також килимів і синтетичних підлогових покриттів, призводить до пошкодження меблів з деревини і особливо паркетних підлог, негативно впливає на налаштування музичних інструментів. Будь ласка, збережіть це керівництво. Уважно прочитайте це керівництво по експлуатації перед використанням приладу. Цей прилад працює тільки від мережі змінного струму напругою 220-240В ~ / 50Гц. Уникайте використання цей прилад до мережі живлення з іншою напругою.

## 2. ЗАПОБІЖНІ ЗАХОДИ

Уважно прочитайте всі інструкції перед першим використанням приладу. Щоб уникнути ураження електричним струмом або заподіяння травми при користуванні приладом завжди дотримуйтесь основні заходи безпеки, в тому числі такі:

- Переконайтеся, що вказана в паспорті приладу робоча напруга відповідає напрузі Вашої електромережі.
- Прилад повинен перебувати поза досяжністю дітей. Не дозволяйте дітям гратися з приладом. Ніколи не залишайте дитину без нагляду поруч з працюючим приладом.
- Перед використанням пристрою з пошкодженим шнуром або вилкою живлення. Перед використанням пристрою, якщо він був пошкоджений або впав. Поверніть його для перевірки або ремонту в сервісний центр.
- Прилад слід встановлювати на твердій, рівній і горизонтальній поверхні. Попередження! Пристрій може працювати неправильно, якщо він не знаходиться на рівній поверхні.
- Встановлюйте прилад в такому місці, де ризик того, що він буде зачеплений або збитий, мінімальний.
- Прилад потребує регулярного чищення Див. Розділ керівництва «Чистка і обслуговування приладу».
- Не занурюйте прилад у воду; для чищення корпусу використовуйте чисту вологу тканину. Не використовуйте абразивні миючі засоби або розчинники для очищення.
- Використовуйте прилад тільки повністю зібраним.
- Не тягніть за шнур, щоб вимкнути прилад з розетки. Для відключення приладу з мережі беріться безпосередньо за вилку. Забороняється відключати прилад з мережі мокрими руками.
- Не заливайте гарячу воду в резервуар, температура води не повинна перевищувати 30 ° C.
- Заповніть резервуар свіжою, дистильованою або демінералізованою водою. Не вмикайте прилад, коли в баку немає води.
- Ніколи не прокладайте шнур під килимами, а також не кладіть на гострі або гарячі предмети. Слідкуйте, щоб шнур не переломлювався, і по ньому не ходили.

• Ремонт електроприладів повинен проводитися тільки уповноваженим на це обслуговуючим персоналом. Неправильний і некваліфікований ремонт може призвести до нещасних випадків і травм.

• Якщо шнур живлення пошкоджений, він повинен бути негайно замінений кваліфікованим персоналом в авторизованому сервісному центрі виробника на новий, щоб уникнути ураження електричним струмом та виникнення пожежі.

• Цей прилад не призначений для використання особами (включаючи дітей) з обмеженими фізичними, сенсорними або розумовими здібностями або з недостатнім досвідом і знаннями, крім випадків користування під наглядом чи за вказівками приладу з боку осіб, відповідальних за їх безпеку.

• Не використовуйте прилад на відкритому повітрі.

• Не використовуйте прилад для інших, не призначених для використання цілей.

• При переміщенні приладу тримайте його за основу, а не за бак.

• Даний прилад призначений тільки для домашнього використання.

• Не використовуйте прилад в приміщенні, в якому присутні горючі гази.

• Не допускайте попадання на прилад крапель дощу, не використовуйте його в надмірно вологих приміщеннях (ванна кімната, пральня, сауна і т.д.).

• Прилад повинен перебувати у вертикальному положенні.

• На прилад не можна сідати, вставати, класти предмети одягу або рушники поверх приладу. Якщо сопло закрито, це може привести до виникнення несправностей.

• Не використовуйте зволожувач, якщо повітря в приміщенні вже досить вологе.

### 3. ТЕХНІЧНІ ХАРАКТЕРИСТИКИ

Таблиця 1

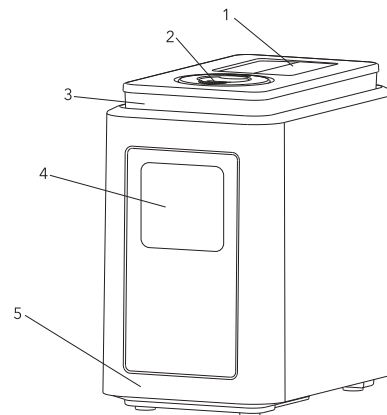
Технічні характеристики	Од. вим.	Значення
Продуктивність зволоження	мл/г	300±20%
Параметри електроживлення	В/Гц	220-240-/50
Місткість резервуара для води	л	4.0
Номінальна потужність (хол./тепл. пар)	Вт	25
Рівень шуму	дБ(А)	≤37
Ступінь захисту	-	IP20
Клас електрозахисту	-	II
Розміри приладу	мм	175x290x285
Вага нетто	кг	2.72
Рекомендована площа приміщення	м²	30-40

Виробник залишає за собою право для різних партій поставок без попереднього повідомлення змінювати комплектуючі частини виробу не впливаючи при цьому на основні технічні параметри виробу або покращуючи їх, а також не порушуючи змінами прийняті на території країни виробництва \ транзиту \ реалізації стандарти якості і норми законодавства.

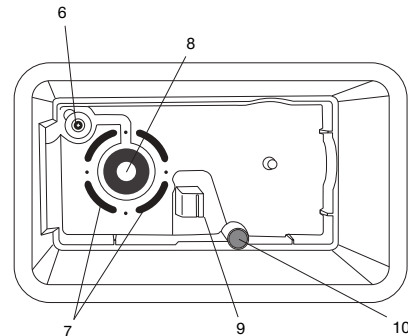
Це може спричинити за собою зміну ваги і габаритів виробу, але не більше ніж на + \ - 5-20% (можуть відрізнятися для різного виду виробів).

### 4. ОПИС ПРИЛАДУ

- |                               |   |
|-------------------------------|---|
| 1. Ручка для перенесення бака | 6. Поплавок для визначення рівня води       |
| 2. Розпилювач пара            | 7. Вікна підсвічування                      |
| 3. Бак для води               | 8. Ультразвукова мембрана                   |
| 4. Дисплей                    | 9. Отвір для видування повітря вентилятором |
| 5. Основа                     | 10. Отвір для переливу                      |



Мал. 1 Будова приладу

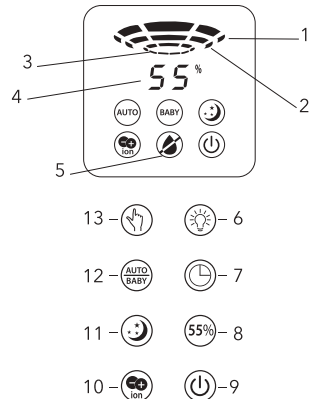


Мал. 2 Основа приладу

### Принцип роботи приладу

Процес зволоження повітря в зволожувачі побудований за принципом "ультразвукового випаровування". Вода, потрапляючи в камеру пароутворення, за допомогою ультразвуку розщеплюється на дрібні краплі. Мікроскопічні краплі утворюють своєрідну хмару пари, крізь яку вентилятор малої потужності проганяє зовнішнє повітря, подаючи пар в приміщення.

## Панель управління і дисплей



Мал. 3 Панель управління

### Панель управління

1. Максимальна інтенсивність випаровування
2. Середня інтенсивність випаровування
3. Мінімальна інтенсивність випаровування
4. Гігрометр
5. Індикатор низького рівня води
6. Вкл/викл підсвічування бака (нічник)
7. Таймер на відключення (1 - 12 годин)
8. Ручна установка рівня вологості

9. Вкл/викл приладу

10. Вкл/викл режиму іонізації

11. Нічний режим

12. Дитячий режим / Автоматичний режим

13. Ручний режим / Інтенсивність випаровування

### Управління приладом

Перед початком роботи дайте зволожувачу звикнути до кімнатної температури не менше 30 хвилин, особливо якщо прилад холодний від зовнішнього повітря. Зволожувач призначений для роботи при температурі 5 до 40 ° C і відносній вологості менше 80%.



### ПРИМІТКА:

Кнопки режимів роботи на панелі управління сенсорні, для включення потрібного режиму роботи, до кнопки досить доторкнутися. Покази вологості на дисплеї можуть дещо відрізнятися від показів іншого гігрометра. Покази вологості залежать від температури повітря в приміщенні. Протяги або інші повітряні потоки можуть істотно впливати на показання вологості і температури повітря в приміщенні.



#### • Кнопка Включення / Виключення (9):

Якщо прилад включений в мережу, автоматично загоряється індикація «Включення / Виключення» на дисплеї приладу. Щоб включити прилад, натисніть кнопку «Включення / Виключення». Гігрометр приладу покаже поточну вологість у приміщенні, і прилад за замовчуванням почне працювати з Середньою інтенсивністю випаровування. Натисніть цю кнопку, щоб вимкнути прилад.



#### • Установка рівня вологості в ручному режимі (функція Гігростат) (8).

Ця кнопка працює тільки в Ручному режимі роботи. Натисніть цю кнопку, щоб задати бажаний рівень вологості в приміщенні. Гігрометр на дисплеї приладу почне блимати.

При першому натисканні з'явиться індикація «OL» - це означає, що обмеження за рівнем вологості не встановлено, і прилад буде працювати, поки не закінчиться вода. При другому натисканні гігостат задає обмеження бажаної вологості до 40%. Кожне наступне натискання підвищує обмеження на 10% до тих пір, поки на дисплеї не залишиться «OL». Якщо протягом 5 секунд ви не станете робити ніяких дій, прилад сприйме обраний рівень вологості як бажаний, а Гігрометр знову покаже поточну вологість у приміщенні.

Ви можете побачити, яка вологість була задана раніше, натиснувши цю кнопку одноразово - на дисплеї починає блимати заданий раніше бажаний рівень вологості. Якщо ви хочете його змінити, натисніть кнопку ще раз. Коли бажаний рівень вологості буде досягнутий, прилад продовжить працювати з мінімальною інтенсивністю випаровування. Якщо бажаний рівень вологості не досягнутий, прилад продовжує працювати з інтенсивністю, заданою кнопкою «Ручний режим / Інтенсивність випаровування». При виборі бажаної вологості враховуйте, що вологість в безпосередній близькості від приладу завжди вища.

#### • **Кнопка установки часу роботи таймера (7):**

Ця кнопка дозволяє задати тривалість роботи приладу в діапазоні від 1 до 12 годин. Натисніть цю кнопку, щоб вибрати тривалість роботи приладу. Гігрометр на дисплеї зміниться миготливими цифрами таймера. Задайте бажану тривалість роботи послідовним натисканням кнопки «Таймер 1-12 годин». Якщо протягом 5 секунд ви не станете робити ніяких дій, прилад встановить таймер на обрану тривалість, а на дисплеї знову буде відображений Гігрометр. При виборі тривалості роботи «00» таймер вимкнений. У Нічному режимі таймер встановлено на 8 годин, таким чином, при натисканні кнопки «Нічний режим» прилад автоматично вимкнеться через 8 годин, якщо ви не задали іншу тривалість роботи. Якщо таймер виставлений, але ви вибрали інший режим роботи або закінчилася вода таймер обнуляється автоматично.

#### • **Підсвічування бака (6):**

Натисніть цю кнопку, щоб включити підсвічування бака. Повторне натискання відключить підсвічування. Функція доступна незалежно від кількості води в баці.



#### • **Ручний режим / Інтенсивність випаровування (13):**

Є кнопкою вибору одного з чотирьох виключаючих один одного режимів роботи. При включенні приладу Ручний режим є режимом роботи за замовчуванням. Натискання цієї кнопки переводить прилад в Ручний режим роботи, скасовуючи настройки інших режимів і автоматично встановлюючи прилад на мінімальну інтенсивність випаровування. Повторне натискання цієї кнопки встановлює прилад на середню інтенсивність випаровування - у верхній частині дисплея загоряється друга концентрична окружність. Щоб встановити максимальну інтенсивність випаровування, натисніть кнопку в третій раз. Повторне натискання поверне вас до мінімального рівня випаровування. Кнопка «Установка рівня вологості в ручному режимі» працює тільки при виборі Ручного режиму.



#### • **Автоматичний режим / Дитячий режим (12):**

Є кнопкою вибору одного з чотирьох виключаючих один одного режимів роботи. Натисніть цю кнопку, щоб прилад перейшов в Автоматичний режим роботи. Інтенсивність випаровування в цьому режимі представлена в таблиці 2. Повторне натискання цієї кнопки переводить прилад в Дитячий режим з попередньо встановленою вологістю 55%, рекомендованою для маленьких дітей. Якщо ви хочете повернутися в Автоматичний режим, натисніть цю кнопку ще раз.

Таблиця 2

Вологість	Інтенсивність випаровування
до 40%	Максимальна
40%-60%	Середня
вище 60%	Мінімальна



#### • **Нічний режим (11):**

Є кнопкою вибору одного з чотирьох виключаючих один одного режимів роботи. Натисніть цю кнопку, щоб прилад перейшов в Нічний режим SMART. Якщо протягом 5 секунд після натискання цієї кнопки ви не робите ніяких дій, прилад переходить в Нічний режим, дисплей приладу відключається, і на ньому продовжує горіти тільки відповідна індикація.

У цьому режимі автоматично включається таймер, встановлений на 8 годин. Інтенсивність випаровування в цьому режимі представлена в таблиці 2. Якщо в Нічному режимі SMART буде натиснута будь-яка кнопка, крім «Включення / Виключення», Гігрометр покаже поточну вологість у приміщенні, після чого через 5 секунд Дисплей знову відключиться. Подвійне натискання кнопки «Ручний режим / Інтенсивність випаровування» або «Автоматичний режим / Дитячий режим» включити інший режим. Натискання кнопки «Включення / Виключення» вимкне прилад. При повторному включенні настройки необхідно буде виставити заново.



• **Іонізація (10):**

Ця кнопка включає іонізатор, поповнює нестачу негативно заряджених іонів (аніонів) у повітрі. Аніони зміцнюють нервову і кровоносну системи, покращують діяльність легень і служать захистом від респіраторних захворювань (таких як пневмонія і астма)



• **Автоматичне відключення при недостатньому рівні води (5):**

Ця індикація загоряється, коли в приладі закінчується вода. Щоб уникнути перегріву ультразвукової мембрани прилад відключається автоматично.



**УВАГА!**

Не додавайте аромамасла в резервуар з водою, це може привести до поломки ультразвукової мембрани.

## 5. КОМПЛЕКТАЦІЯ

1. Зволожувач повітря - 1 шт.
2. Щіточка для чистки мембран - 1шт.
3. Керівництво по експлуатації - 1 шт.
4. Фільтр - картридж - 1 шт.

## 6. ЕКСПЛУАТАЦІЯ ПРИЛАДУ

1. Взявшись за ручку, зніміть з приладу бак для води (див. Рис. 1).
2. Переверніть бак для води догори дном і відкрутіть кришку резервуара, повертаючи її проти годинникової стрілки



**ПРИМІТКА:**

Фільтр-картридж приєднаний до кришки бака для води. Якщо Ви не збираєтеся використовувати фільтр, його слід видалити, повернувши проти годинникової стрілки (див. «Заміна фільтра-картриджа» на мал.4).

3. Налийте в бак чисту воду. Для цієї моделі рекомендується використовувати попередньо демінералізовану воду. Не переповнюйте бак! Після наповнення закрийте бак кришкою, повертаючи її за годинниковою стрілкою.
4. Помістіть бак назад в пристрій.



**ПРИМІТКА:**

Не наливайте воду в основу приладу - вона може потрапити в отвір для переливу, і поверхня під приладом намокне. Отвір для переливу передбачено для того, щоб виключити ризик потрапляння води в електронні вузли приладу через отвір для вивування повітря вентилятором (мал.2).



**УВАГА!**

При переміщенні зволожувача завжди тримайте прилад за основу (рис. 1), для уникнення падіння частини приладу, з основними електронними вузлами. Якщо в приладі є вода, щоб уникнути її потрапляння в електронні вузли через отвір для вивування повітря (рис. 2), тримайте його горизонтальним.

#### Правила експлуатації:

- Перш ніж почати користуватися, особливо якщо температура на вулиці нижче нуля, дайте приладу нагрітися при кімнатній температурі протягом 30 хвилин.
- Прилад рекомендується використовувати при температурі від 5 ° C до 40 ° C, і відносній вологості не більше 80%.
- Використовуйте тільки чисту воду, температура якої не повинна бути вище 30 ° C.
- Перед тривалим відключенням (більше 2 діб) злийте воду, просушіть піддон і бак для води.



#### ПРИМІТКА:

Відображення вологості на дисплеї можуть дещо відрізнятися від показань іншого гігрометра. Покази вологості залежать від температури повітря в приміщенні. Протяги або інші повітряні потоки можуть істотно впливати на показання вологості і температури повітря в приміщенні.

## 7. ЧИСТКА ТА ОБСЛУГОВУВАННЯ ПРИЛАДУ



#### УВАГА!

Перед очищенням завжди відключайте прилад від джерела живлення.

Ви можете забезпечити багаторічну безперебійну роботу вашого зволожувача, виконавши кілька простих процедур обслуговування. Якщо ваша вода жорстка, має високу концентрацію мінералів, то з часом може з'явитися білий наліт на предметах в кімнаті, всередині бака для води і на ультразвукової мембрані. Цей білий наліт буде перешкоджати правильній роботі приладу.

#### Рекомендації:

- 1) Використовуйте холодну кип'ячену воду або дистильовану воду.
- 2) Очищайте ультразвукову мембрану, резервуар для води і піддон щотижня.
- 3) Частіше міняйте воду, щоб вона завжди була свіжою.
- 4) Обов'язково злийте воду і висушіть резервуар для води, перш ніж зберігати пристрій протягом тривалого часу.

#### Очищення ультразвукової мембрани.

- 1) Помістіть 5-10 крапель очищуючої речовини на поверхню мембрани, почекайте 2-5 хвилин.
- 2) Почистіть всю поверхню мембрани.
- 3) Промийте чистою водою.
- 4) Ніколи не використовуйте гострі або тверді предмети для очищення мембрани.

#### Періодичне очищення піддону і бака.

- 1) Очистіть піддон м'якою тканиною.
- 2) У разі сильного забруднення піддону і бака вапняними відкладеннями, промочите тканину оцтом або розчином лимонної кислоти з розрахунку 1 столова ложка на 2 літри води і повторіть процес.
- 3) Промийте чистою водою.

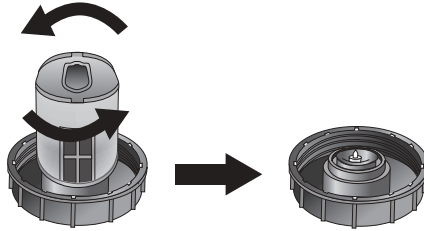


#### ПРИМІТКА:

Якщо ви не збираєтеся використовувати зволожувач протягом тривалого часу, переконайтеся, що всі його частини сухі, включаючи шахту розпилювача. Очистіть і висушіть фільтркартридж, перш ніж знімати його для зберігання.



### Заміна фільтра-картриджа.



Мал. 4 Заміна фільтра-картриджа.

Зволожувач укомплектований фільтром-картриджем з іонообмінною смолою. Фільтр використовується для очищення води від мінеральних речовин і знищення бактерій.

Заміну фільтра рекомендується проводити кожні 3-4 місяці або якщо бак для води заповнювався більш 80 раз.



#### УВАГА!

Недотримання правил розділу «Чистка і обслуговування приладу» може привести до розвитку мікроорганізмів/ бактерій всередині піддону. Що призведе до неприємних запахів і порушення гігієнічних норм.  
Використовуйте максимально чисту воду!  
Водопровідна вода часто містить солі кальцію/ частинки іржі та інші хімічні елементи. Подібні елементи здатні осідати на внутрішніх поверхнях приладу, що може привести до поломки або утрудненням при регламентних роботах з обслуговування приладу.

## 8. ГАРАНТІЙНІ ЗОБОВ'ЯЗАННЯ

Цей документ не обмежує певні законом права споживачів, але доповнює і уточнює обумовлені законом зобов'язання, які передбачають угоду сторін або договір.

Виробник залишає за собою право вносити зміни в конструкцію, комплектацію або технологію виготовлення виробу, з метою поліпшення його технологічних характеристик. Такі зміни вносяться в виріб без попереднього повідомлення Покупців і не тягнуть за собою зобов'язань зі зміни / поліпшення раніше випущених виробів. Переконливо просимо вас, щоб уникнути непорозумінь до установки / експлуатації виробу уважно вивчити його інструкцію по експлуатації.

Гарантійні зобов'язання здійснюються при наявності правильно заповненого гарантійного талона із зазначенням в ньому дати продажу, печатки (штампа) торгуючої організації і підпису продавця. Забороняється вносити в Гарантійний талон будь-які зміни, а також правити або переписувати будь-які зазначені в ньому дані.

Ретельно перевірте зовнішній вигляд виробу і його комплектність, всі претензії за зовнішнім виглядом і комплектності виробу пред'являйте Продавцеві при покупці виробу.

У разі несправності приладу з вини виробника зобов'язання щодо усунення несправності лягає на уповноважену виробником організацію. В даному випадку покупець має право звернутися до Продавця. Ця гарантія поширюється на виробничий або конструкційний дефект виробу.

Гарантійний термін на ультразвукової зволожувач повітря становить 12 (дванадцять) місяців з дня продажу Покупцеві.

Строк придатності необмежений до початку використання.

Гарантія не дає права на відшкодування і покриття збитків, що стався в результаті переробки і регулювання виробу без попередньої письмової згоди виробника, з метою приведення його у відповідність з вимогами державних чи місцевих технічних стандартів та стандартів із техніки безпеки.

## 9. Пошук та усунення несправностей

Несправність	Можлива причина	Спосіб усунення
Прилад не працює	<ul style="list-style-type: none"> <li>Шнур живлення не приєднаний</li> <li>Відсутня вода в баці (горить індикатор нестачі води)</li> <li>Корпус приладу встановлений неправильно</li> </ul>	<ul style="list-style-type: none"> <li>Підключіть шнур живлення до електричної мережі</li> <li>Залийте в піддон воду</li> <li>Встановіть корпус приладу правильно</li> </ul>
Пар має неприємний запах	<ul style="list-style-type: none"> <li>Новий прилад</li> <li>Прилад давно не проходив процедуру очищення</li> </ul>	<ul style="list-style-type: none"> <li>Вийняти резервуар для води, відкрити кришку, залишити її на 12 годин</li> <li>Необхідно очистити прилад відповідно до інструкції</li> </ul>
У приміщенні з'являється конденсат	<ul style="list-style-type: none"> <li>Температура в приміщенні занадто низька</li> </ul>	<ul style="list-style-type: none"> <li>Необхідно обігріти приміщення</li> </ul>
Інтенсивність зволоження занадто слабка	<ul style="list-style-type: none"> <li>У приміщенні протяг</li> <li>Повітрязабірні решітки і сопла можуть забитися</li> <li>Прилад давно не проходив процедуру очищення</li> <li>Обрана вологість занадто низька</li> </ul>	<ul style="list-style-type: none"> <li>Переконайтеся в тому, що двері і вікна закриті</li> <li>Необхідно очистити прилад відповідно до інструкцією</li> <li>Збільшіть настройку вологості</li> </ul>
Аномальний шум	<ul style="list-style-type: none"> <li>Вібрація в резервуарі для води, оскільки рівень води надто низький</li> </ul>	<ul style="list-style-type: none"> <li>Наповніть резервуар для води</li> </ul>
Вологість в приміщенні занадто висока	<ul style="list-style-type: none"> <li>Пристрій працює в безперервному режимі</li> <li>Виставлено високий рівень вологості</li> </ul>	<ul style="list-style-type: none"> <li>Змініть режим</li> <li>Виберіть більш низький відсоток вологості</li> </ul>





**CH**  
Cooper & Hunter

[www.cooperandhunter.com](http://www.cooperandhunter.com)