

QXD



CE



Instruction manual

QXD

Read this manual carefully before using the product and keep it in a safe place for reference.

This product was constructed up to standard and in compliance with regulations relating to electrical equipment and must be installed by technically qualified personnel.

The manufacturer assumes no responsibility for damage to persons or property resulting from failure to observe the regulations contained in this booklet.

PRECAUTIONS FOR INSTALLATION, USE AND MAINTENANCE

- The device should not be used for applications other than those specified in this manual.
- After removing the product from its packaging, verify its condition. In case of doubt, contact a qualified technician. Do not leave packaging within the reach of small children or people with disabilities.
- Do not touch the appliance with wet or damp hands/feet.
- This appliance can be used by children aged from 8 years and above and persons with reduced physical, sensory or mental capabilities or lack of experience and knowledge if they have been given supervision or instruction concerning use of the appliance in a safe way and understand the hazards involved. Children shall not play with the appliance. Cleaning and user maintenance shall not be made by children without supervision.
- Do not use the product in the presence of flammable vapours, such as alcohol, insecticides, gasoline, etc.
- If any abnormalities in operation are detected, disconnect the device from the mains supply and contact a qualified technician immediately. Use original spare parts only for repairs.
- The electrical system to which the device is connected must comply with regulations.
- Before connecting the product to the power supply or the power outlet, ensure that:
 - the data plate (voltage and frequency) correspond to those of the electrical mains
 - the electrical power supply/socket is adequate for maximum device power. If not, contact a qualified technician.
- The device should not be used as an activator for water heaters, stoves, etc., nor should it discharge into hot air/fume vent ducts deriving from any type of combustion unit. It must expel air outside via its own special duct.
- Operating temperature: 0°C up to +50°C.
- The device is designed to extract clean air only, i.e. without grease, soot, chemical or corrosive agents, or flammable or explosive mixtures.
- Do not leave the device exposed to atmospheric agents (rain, sun, snow, etc.).
- Do not immerse the device or its parts in water or other liquids.
- Turn off the main switch whenever a malfunction is detected or when cleaning.
- For installation an omnipolar switch should be incorporated in the fixed wiring, in accordance with the wiring regulations, to provide a full disconnection under overvoltage category III conditions (contact opening distance equal to or greater than 3mm).
- If the supply cord is damaged, it must be replaced by the manufacturer, its service agent or similarly qualified persons in order to avoid a hazard.
- Do not obstruct the fan or exhaust grille to ensure optimum air passage.
- Ensure adequate air return into the room in compliance with existing regulations in order to ensure proper device operation.
- If the environment in which the product is installed also houses a fuel-operating device (water heater, methane stove etc., that is not a "sealed chamber" type), it is essential to ensure adequate air intake, to ensure good combustion and proper equipment operation.
- Install the product so that the impeller is not accessible from the air outlet side as verified by contact with the Test Finger (test probe "B" of the norm EN61032) in compliance with the current safety regulations.
- In case of recessed installation in plasterboard walls, the dedicated fixing kit has to be used (accessory on request).

INTRODUCTION

QXD is a centrifugal fan for built-in installation, designed to ensure air extraction in small/medium-sized rooms such as bathrooms, toilets and kitchens. Suitable for air discharge through long length ducting. Main extraction through front cover, additional extraction through side inlet (fig.1).

TECHNICAL SPECIFICATIONS

- Material: High quality, impact and UV-resistant technopolymer, colour RAL 9010.
- Design front cover removable for cleaning without the use of tools.
- Integral air-tight shutter to prevent the return of odors or cold external currents when the unit is off.
- Additional side inlet Ø50mm for secondary air-extraction from adjacent rooms or directly from the toilet bowl.
- Removable filter to protect the impeller and the motor from dust.
- Sound proof foam for acoustic comfort.
- Highly quality forward-curved impeller for high performance and top silence.
- Single phase 2-speed motor with integral thermal protection.
- Motor mounted on ball bearings that guarantee a longer product life cycle (30.000h) and suitable for cold climates.
- The fan is double insulated: no earth connection is required.
- Suitable for continuous or intermittent operation.

- IPX4 degree of protection.
- Power supply 220V to 240V~ 50/60Hz.

OPERATION

STANDARD

The fan is operated using a separate ON/OFF switch or via a light switch (fig. 16A-16B).

WITH TIMER (over-run)

The fan is provided with a timer circuit which is adjustable from approx. 1 minute to 25 minutes via trimmer (fig. 17C). Operation: connected according to the diagram in fig. 17A-17B, after the light is switched on, the fan activates with a delay of max 1.5 seconds. After the light is switched off, the fan continues to function for a pre-set period of time.

WITH HUMIDISTAT & TIMER

The fan is equipped with a humidity detector, whose threshold is adjustable from 50% to 95% Relative Humidity, and with a timer which is adjustable from approx. 1 minute to 25 minutes via corresponding trimmer (fig. 17D). Turn the trimmer HY completely clockwise and the humidistat function is deactivated.

Automatic humidistat operation: connected according to the diagram in fig. 17A-17B, when the percentage of Relative Humidity exceeds the pre-set intervention threshold, the fan starts up automatically. When the percentage of Relative Humidity goes below the threshold, the fan continues to function for a pre-set period of time.

Operation with switch connection: connected according to the diagram in fig. 17A-17B, after the light is switched on, the fan activates with a delay of approx. 1.5 seconds. After it is switched off, the fan continues to function for a pre-set period of time. Attention: when the relative humidity level is higher than the pre-set threshold, automatic operation with humidistat has priority over manual operation, or rather the fan cannot be stopped via switch.

STANDARD CONFORMITY

2014/35/EU Low Voltage Directive (LVD)

2014/30/EU Electromagnetic Compatibility (EMC),

in conformity with the following standards:

Electrical Safety: EN60335-1(2012)+A11+A13; EN 60335-2-80(2003)+A1+A2.

Electromagnetic Compatibility: EN 55014-1(2017); EN 55014-2(2015); EN 61000-3-2(2014); EN 61000-3-3(2013).

DISPOSAL AND RECYCLING



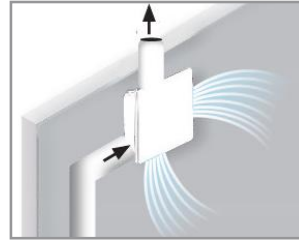
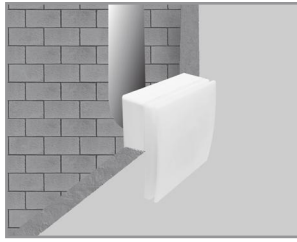
Information on disposal of units at the end of life.

This product complies with EU Directive 2002/96/EC.

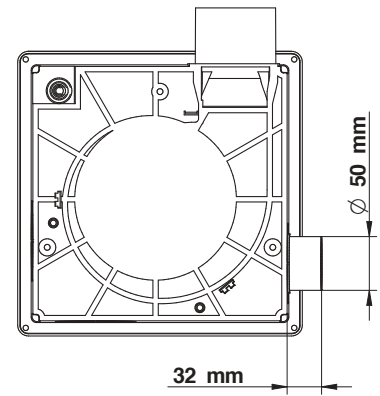
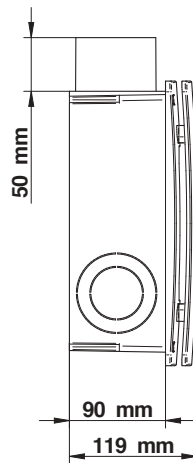
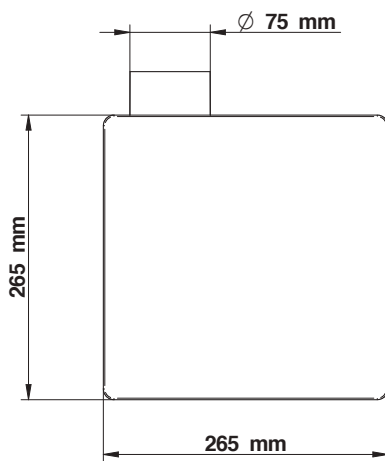
The symbol of the crossed-out dustbin indicates that this product must be collected separately from other waste at the end of its life. The user must, therefore, dispose of the product in question at suitable electronic and electro-technical waste disposal collection centres, or else send the product back to the retailer when purchasing a new, equivalent type device.

Separate collection of decommissioned equipment for recycling, treatment and environmentally compatible disposal helps to prevent negative effects on the environment and on health and promotes the recycling of the materials that make up the equipment.

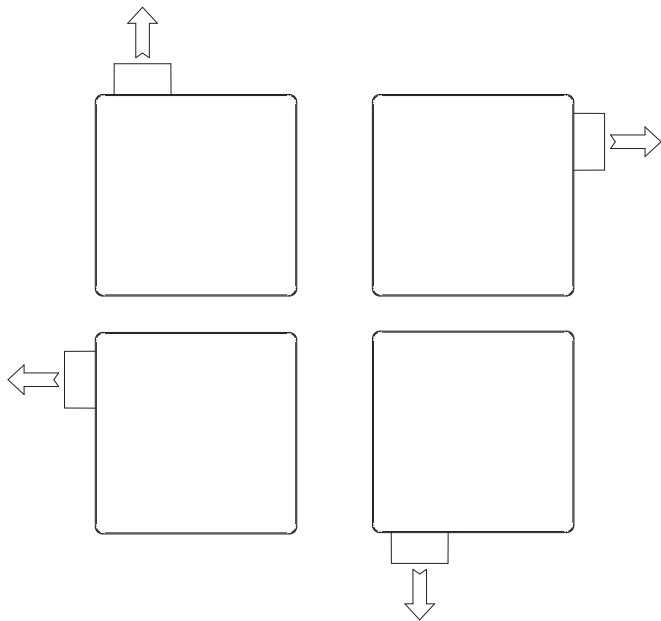
Improper disposal of the product by the user may result in administrative sanctions as provided by law.



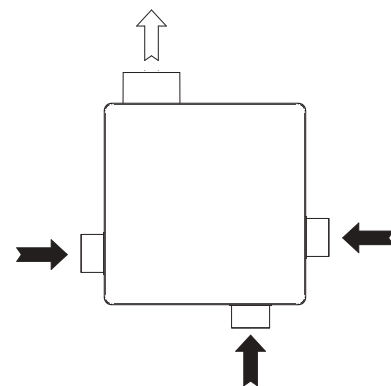
DIMENSIONI - DIMENSIONS - MAßE

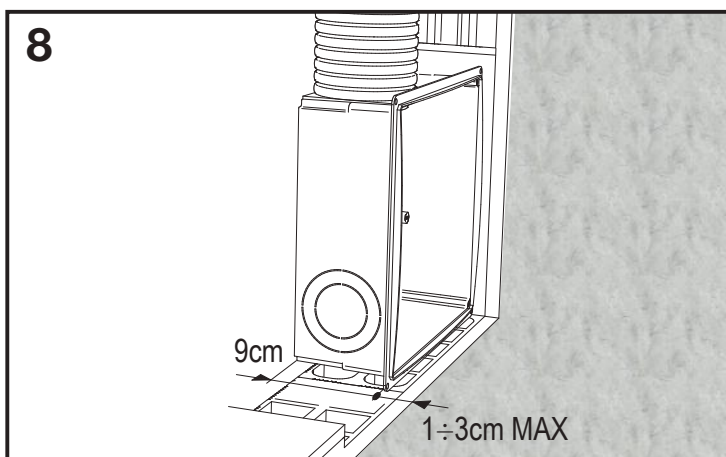
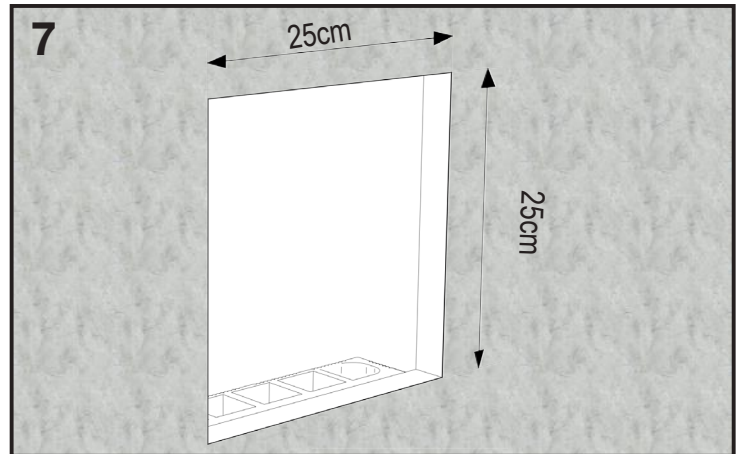
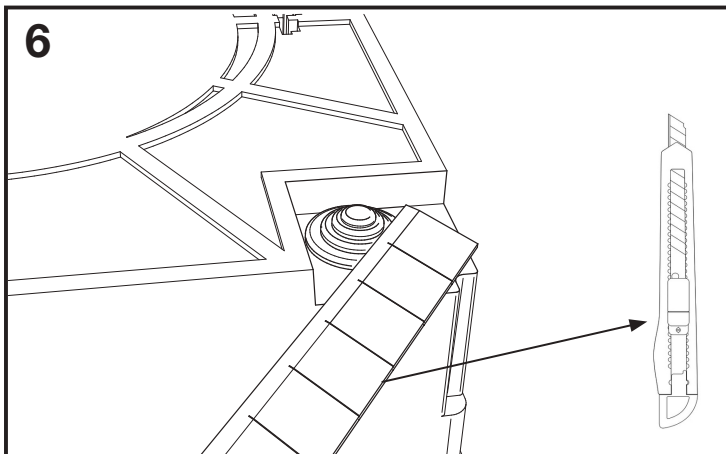
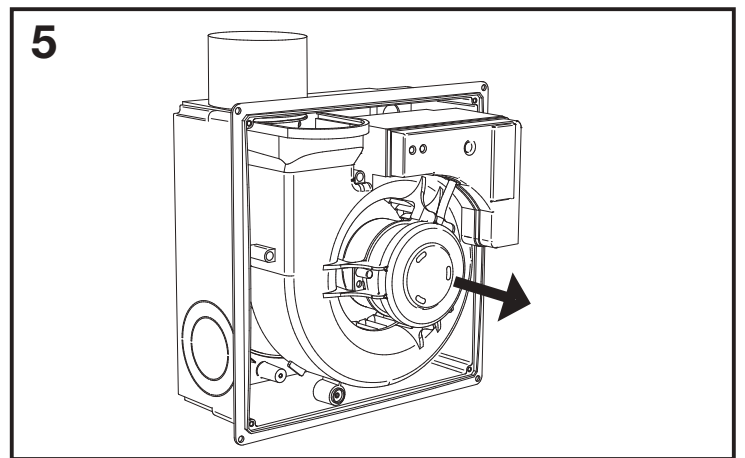
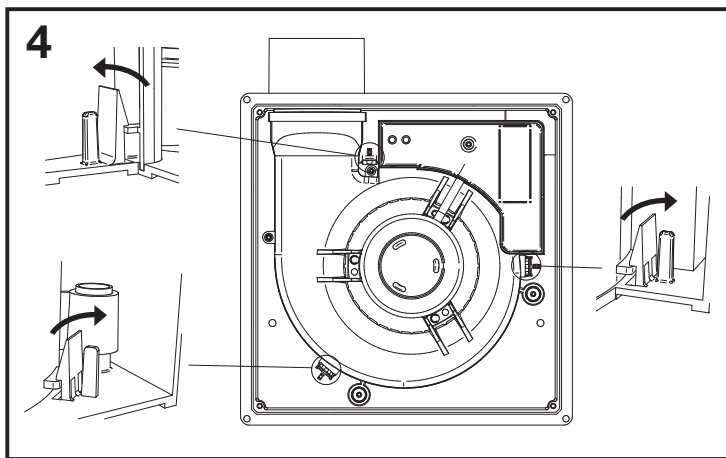
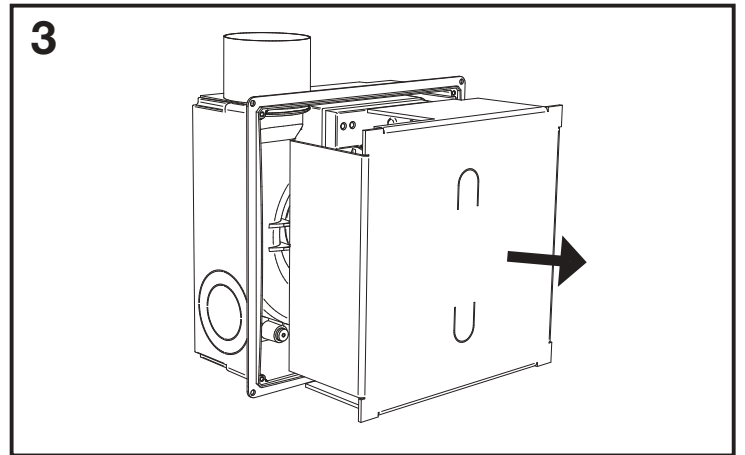
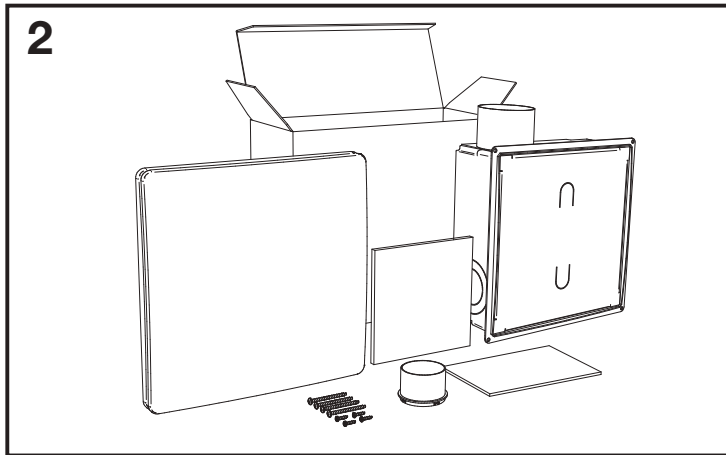


ORIENTAMENTO CASSETTA - CASING POSITION
ORIENTATION CASSETTE - GEHÄUSE ORIENTIERUNG



INGRESSI SECONDARI - ADDITIONAL INLETS - ENTRÉES
SECONDAIRES - ZUSÄTZLICHES ANSAUGSTUTZEN





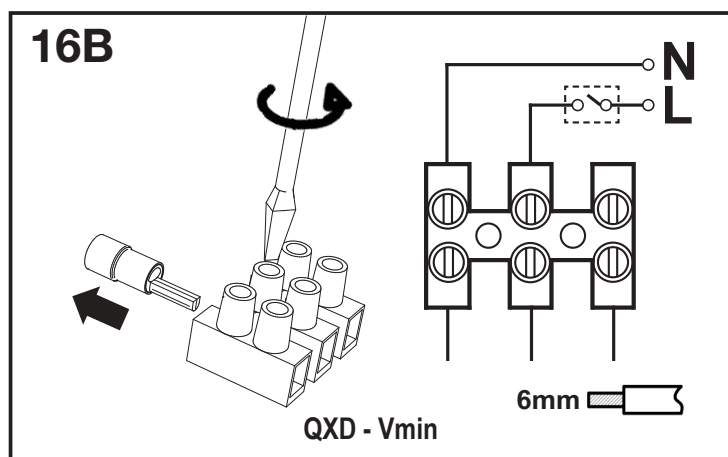
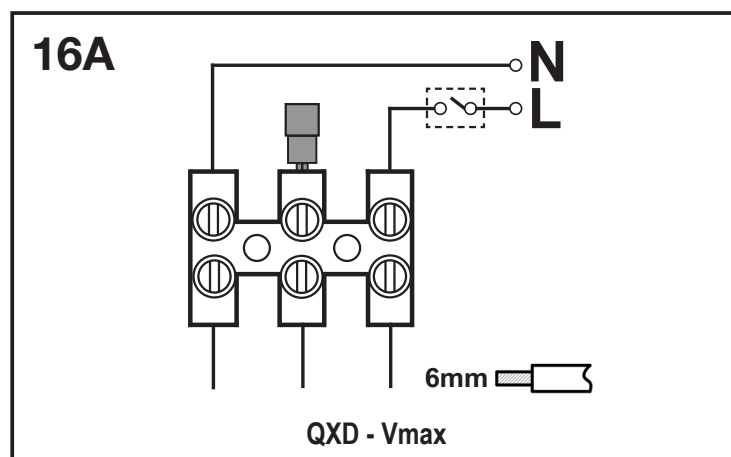
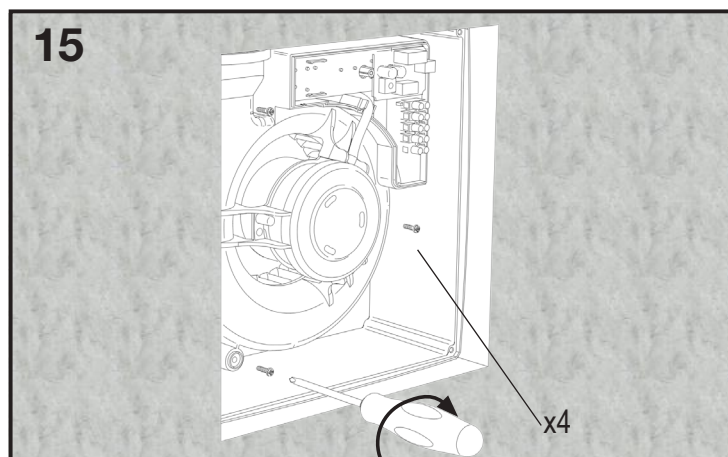
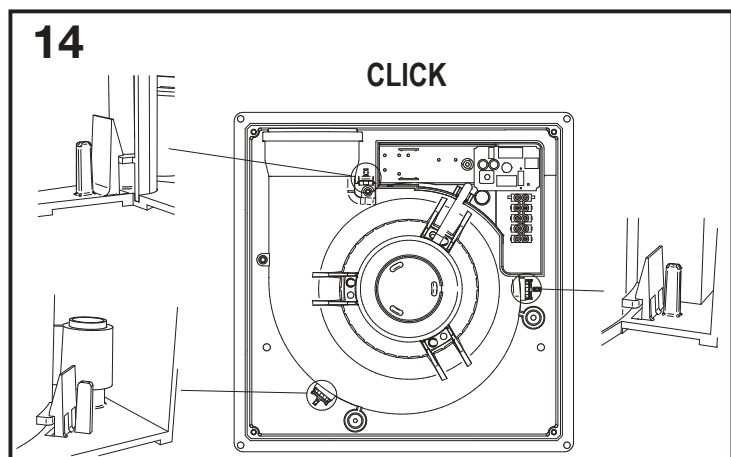
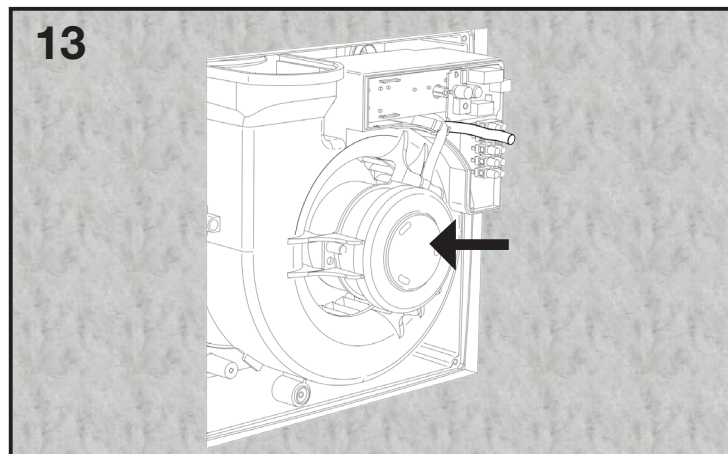
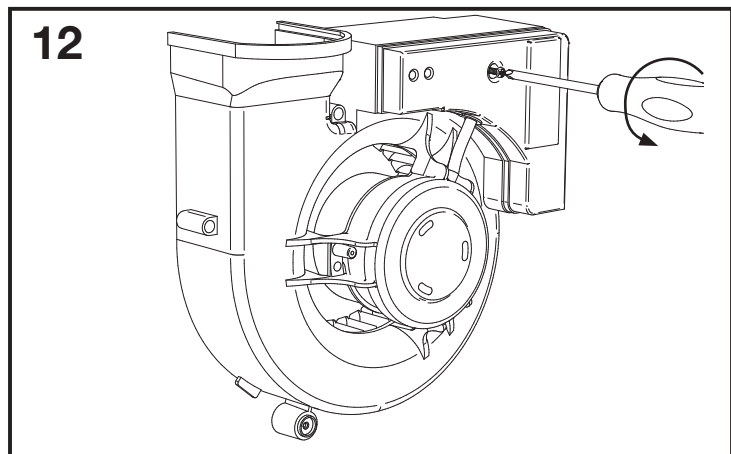
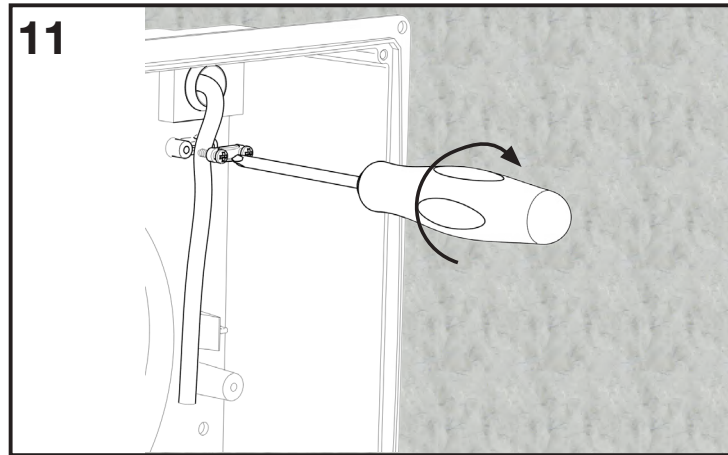
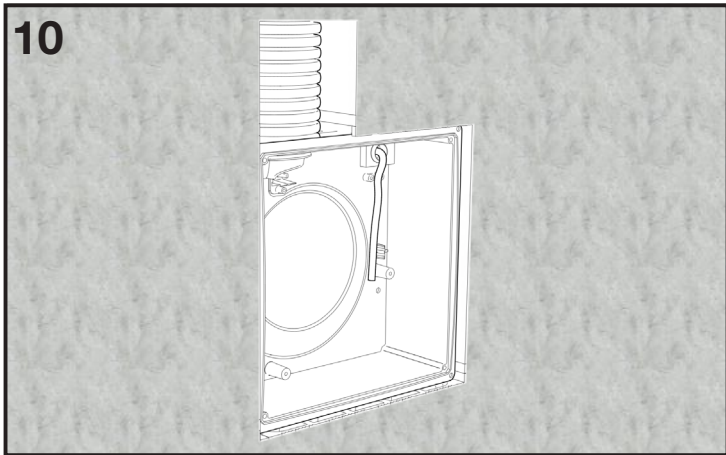
9

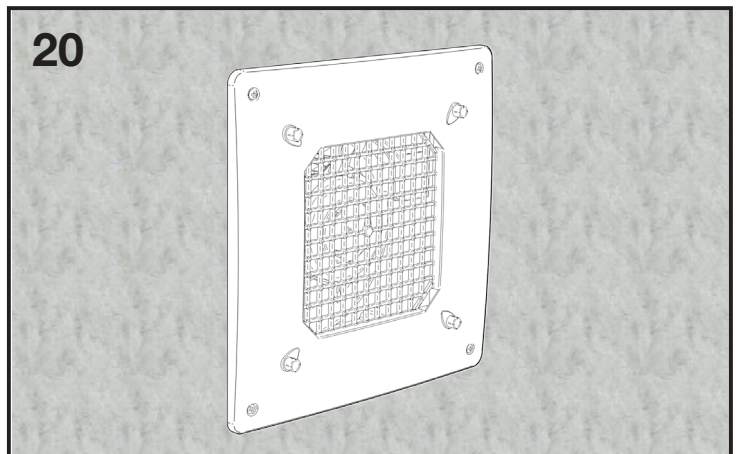
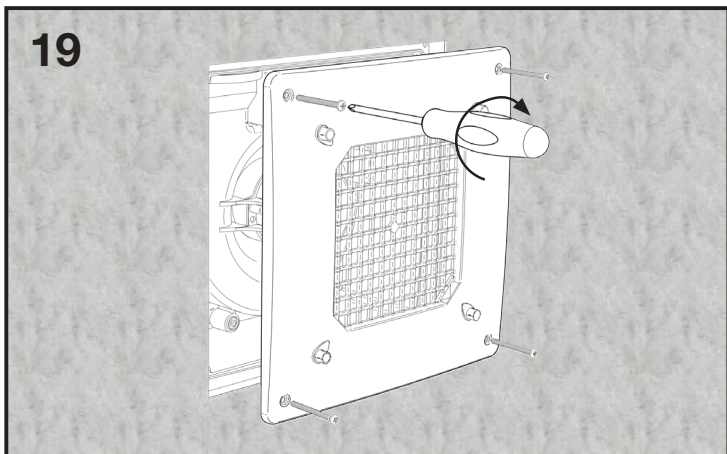
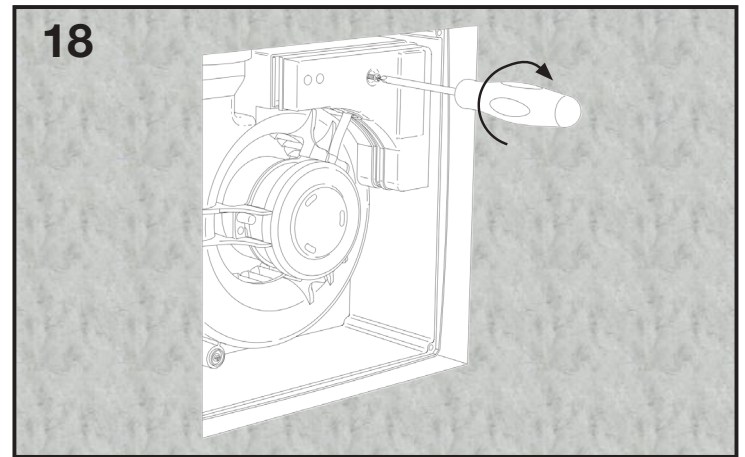
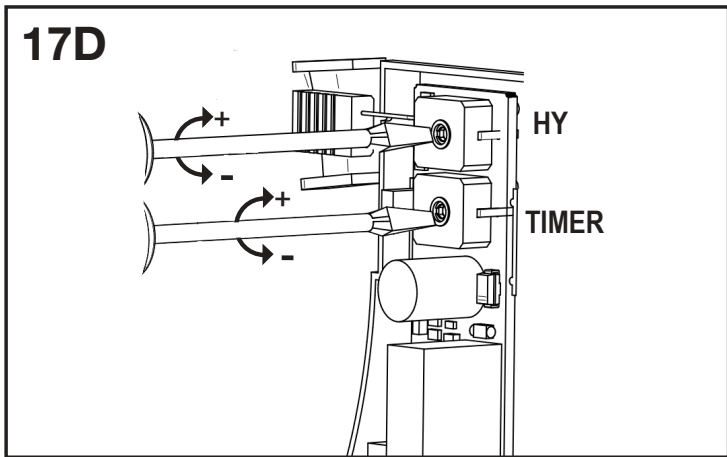
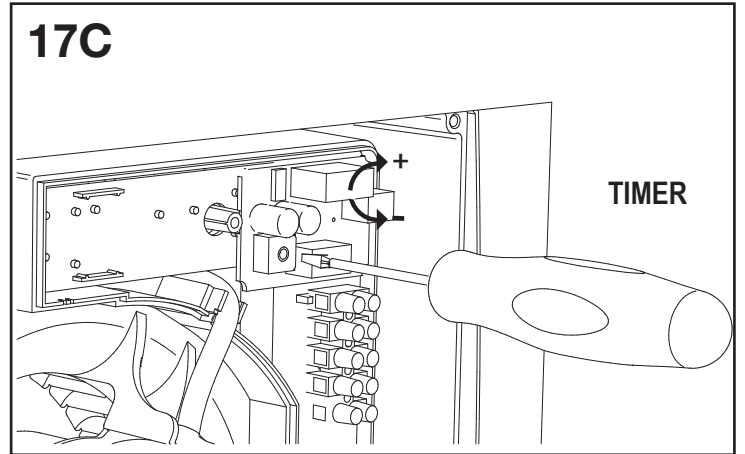
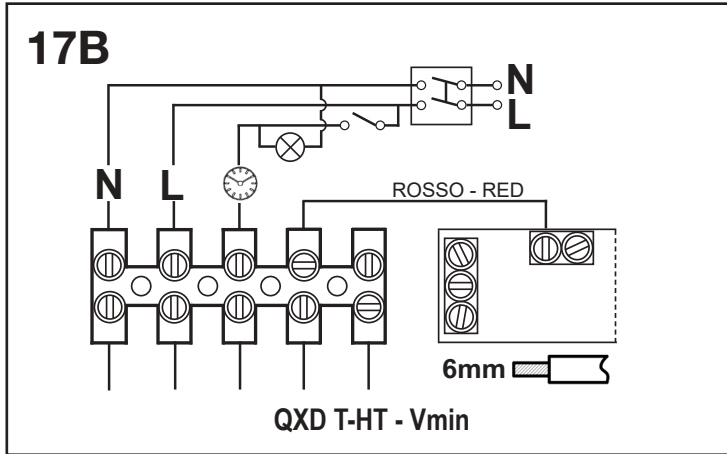
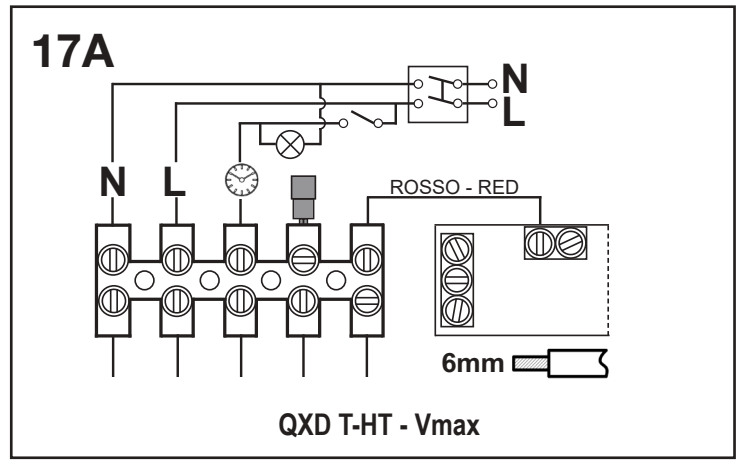
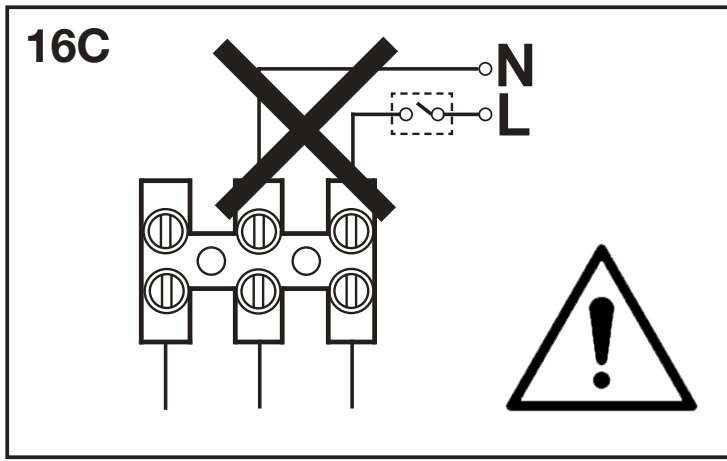
**CAVO
CABLE**

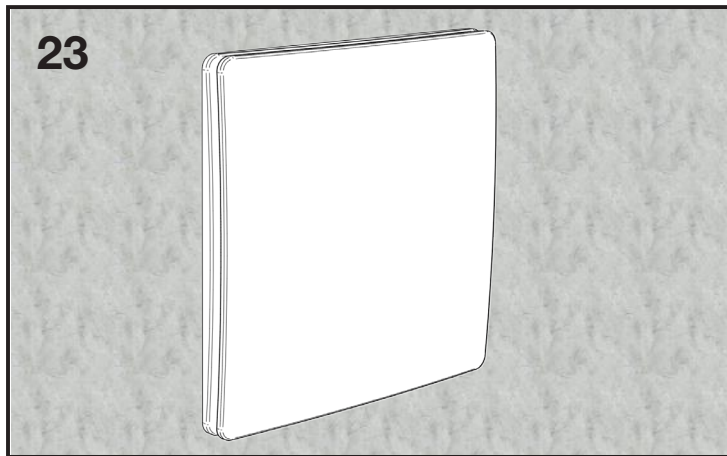
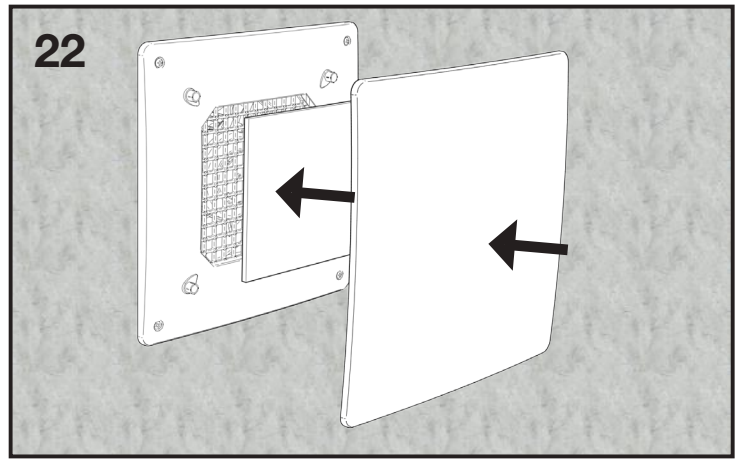
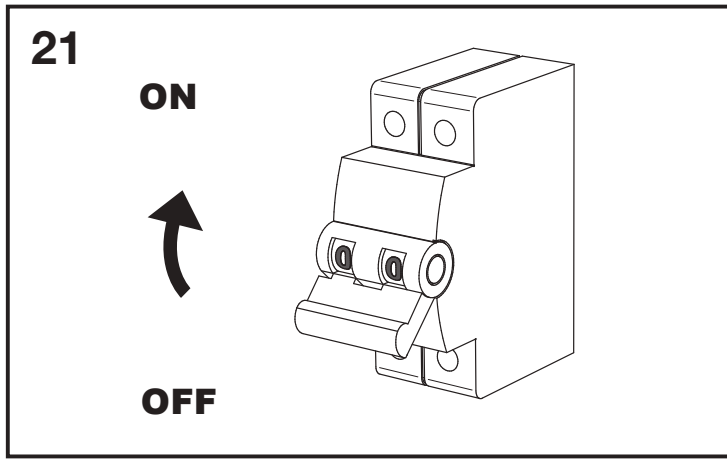
H03VV-F ; H05VV-F

BASE/STD { 2x0,5 ÷ 1,5mm²
 3x0,5 ÷ 1,5mm²

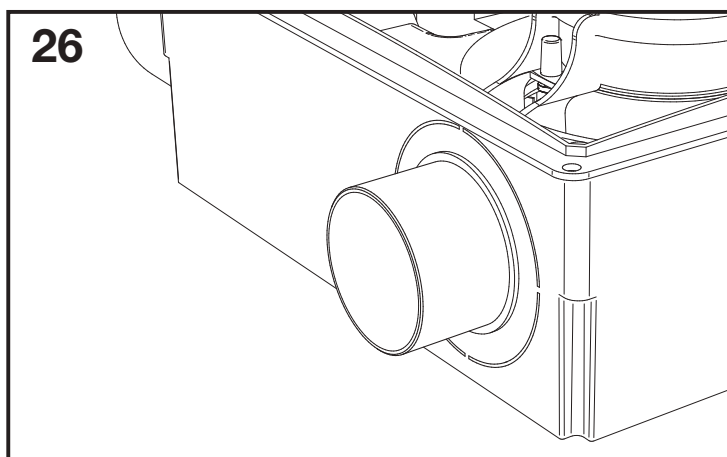
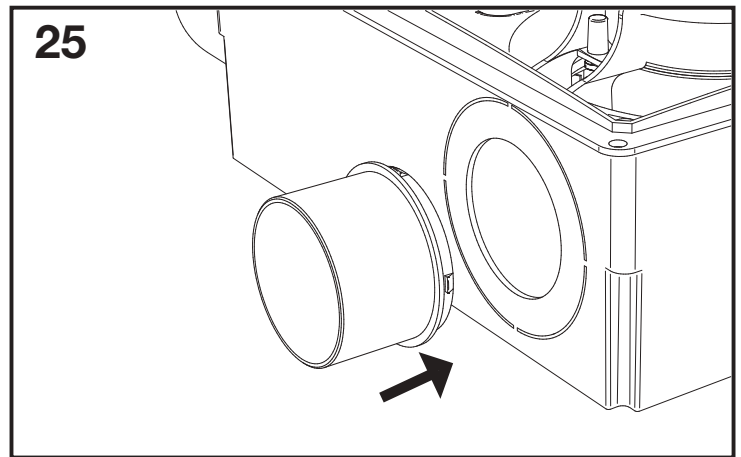
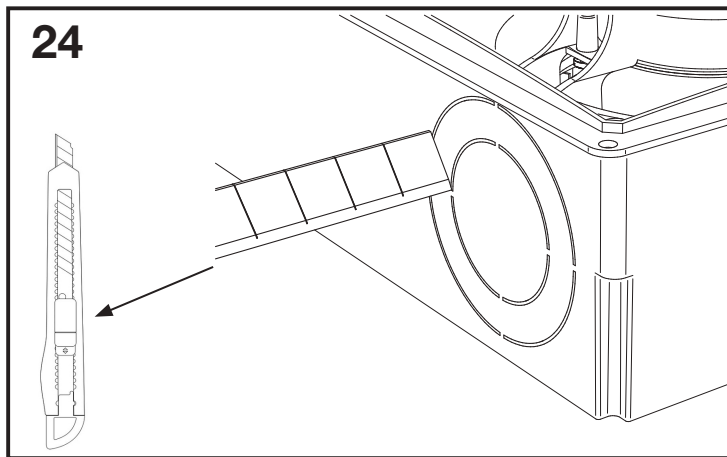
T-HT { 3x0,5 ÷ 1,5mm²
 4x0,5 ÷ 1mm²

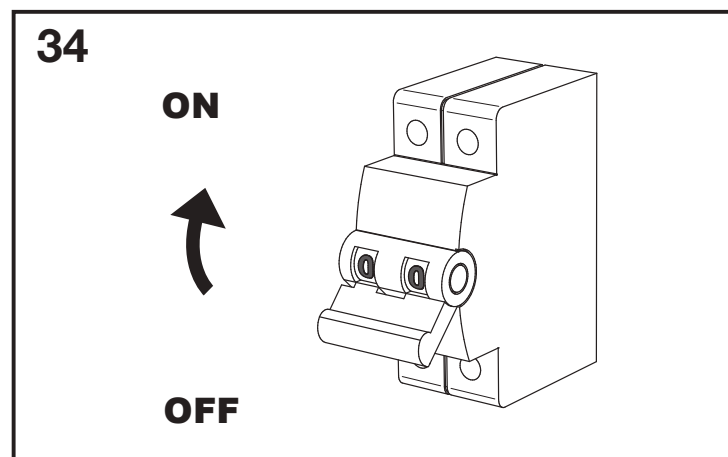
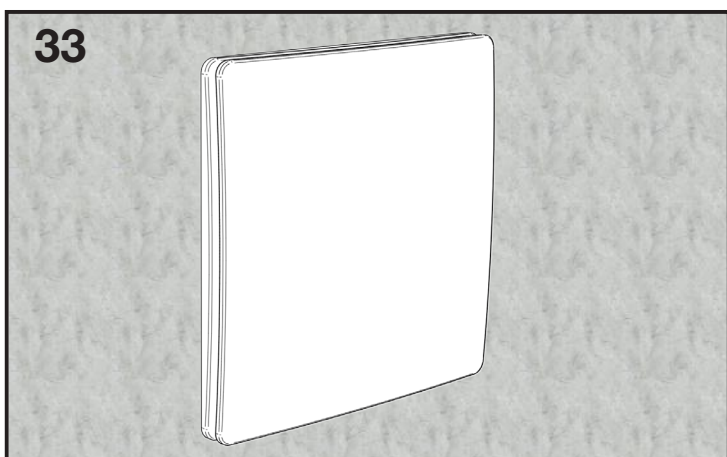
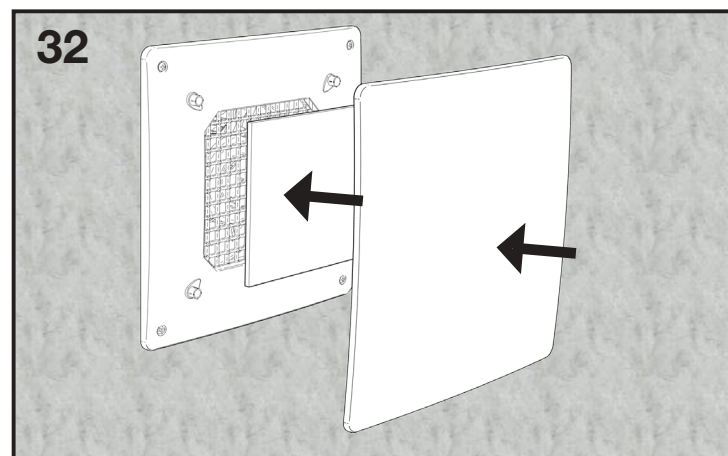
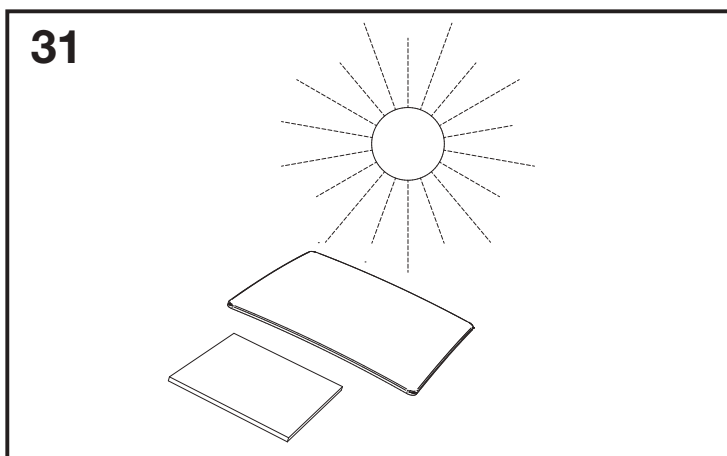
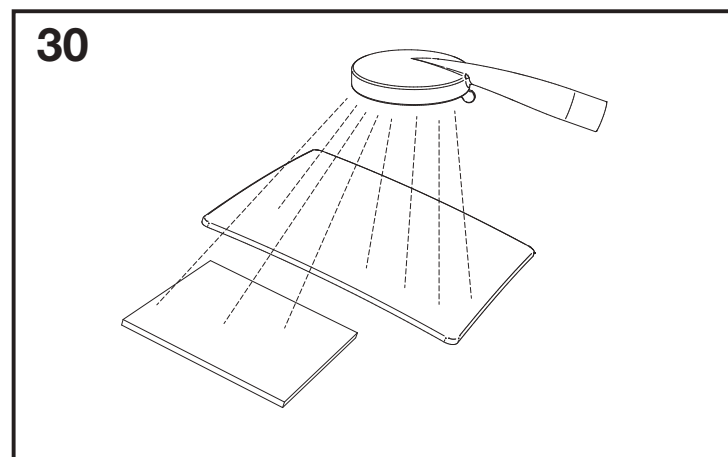
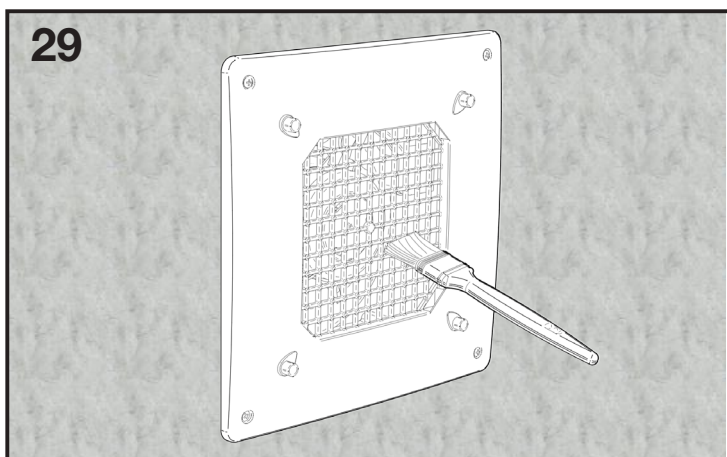
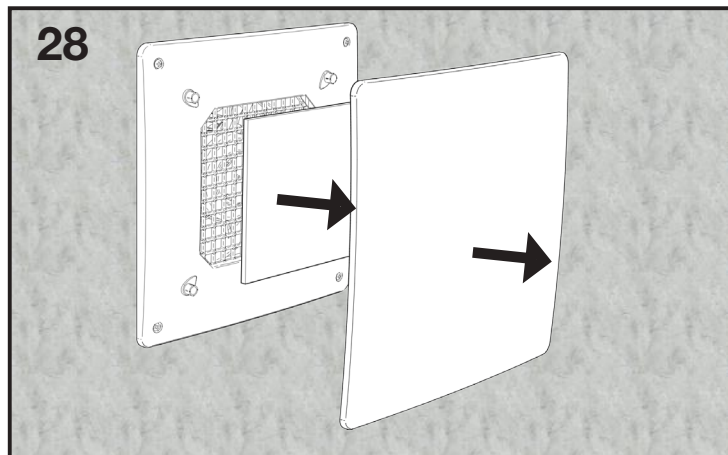
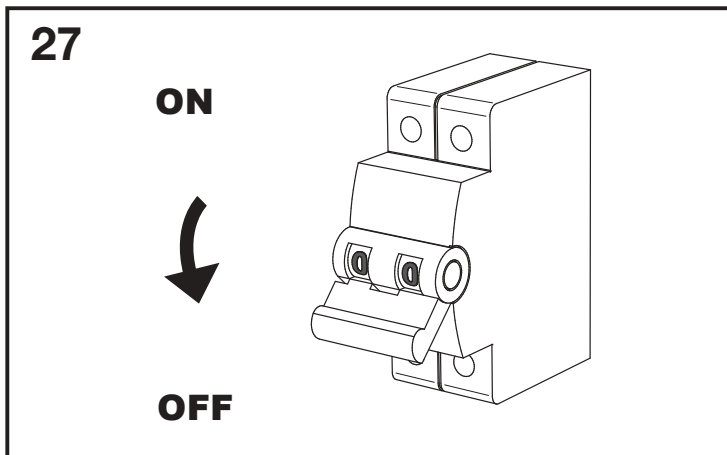






MONTAGGIO INGRESSI SUPPLEMENTARI - ADDITIONAL INLET FIXING - MONTAGE DES ENTRÉES SECONDAIRES
MONTAGE DER ZUSÄTZLICHEN ANSAUGSTUTZEN





Direttiva ErP - Regolamenti 1253/2014 - 1254/2014
ErP Directive - Regulations 1253/2014 - 1254/2014
Directive Erp - Règlements 1253/2014 - 1254/2014
ErP-Richtlinie, Verordnungen 1253/2014 - 1254/2014

a)	Marchio Mark Marque Warenzeichen	-	AERAULIQA	
b)	Modello Model Modèle Modellkennung	-	QXD - QXD T	QXD HT
c)	Classe SEC SEC class classe de SEC SEV-Klasse	-	F	C
c1)	SEC climi caldi SEC warm climates SEC climat chaud SEV für warmen Klimatyp	kWh/m ² .a	1,1	-7,5
c2)	SEC climi temperati SEC average climates SEC climat moyen SEV für durchschnittlichen Klimatyp	kWh/m ² .a	-8,3	-23,0
c3)	SEC climi freddi SEC cold climates SEC climat froid SEV für kalten Klimatyp	kWh/m ² .a	-24,7	-50,1
	Etichetta energetica Energy label étiquette énergétique Energieverbrauchskennzeichnung	-	No	
d)	Tipologia unità Unit typology Typologie Typ	-	Residenziale - unidirezionale Residential - unidirectional Résidentiel - simple flux Wohnraumlüftung - Ein-Richtung	
e)	Tipo azionamento Type of drive Type de motorisation Antrieb	-	Azionamento a velocità multiple Multi-speed drive À plusieurs vitesses Mehrstufenantrieb	
f)	Sistema di recupero calore Type of Heat Recovery System Type de système de récupération de chaleur Wärmerückgewinnungssystem	-	Assente Absent Absent Abwesend	
g)	Efficienza termica Thermal efficiency of heat recovery Rendement thermique Wärmerückgewinnung	%	N/A	
h)	Portata massima Maximum flow rate Débit maximal höchster Luftvolumenstrom	m ³ /h	103	
i)	Potenza elettrica alla portata massima Electric power input at maximum flow rate Puissance électrique absorbée au débit maximal elektrische Eingangsleistung bei höchstem Luftvolumenstrom	W	29	
j)	Livello potenza sonora (L _{WA}) Sound power level (L _{WA}) Niveau de puissance acoustique (L _{WA}) Schallleistungspegel (L _{WA})	dBA	50	
k)	Portata di riferimento Reference flow rate Débit de référence Bezugs-Luftvolumenstrom	m ³ /h	103	
l)	Differenza di pressione di riferimento Reference pressure difference Différence de pression de référence Bezugsdruckdifferenz	Pa	10	
m)	Potenza assorbita specifica (SPI) Specific power input (SPI) Puissance absorbée spécifique (SPI) Spezifische Eingangsleistung (SEL)	W/(m ³ /h)	0,282	

n1)	Fattore di controllo Control factor Facteur de régulation Steuerungsfaktor	-	1	0,65
n2)	Tipologia di controllo Control typology Typologie de régulation Steuerungstypologie	-	Controllo manuale (senza DCV) Manual control (no DCV) Régulation manuelle (pas de VM) Handsteuerung (keine Bedarfssteuerung)	Controllo ambientale locale Local demand control Régulation modulée locale Steuerung nach ertlichem Bedarf
o1)	Trafilamento interno massimo Maximum internal leakage rate Taux de fuites internes maximaux höchste innere Leckluftquote	%	N/A	
o2)	Trafilamento esterno massimo Maximum external leakage rate Taux de fuites externes maximaux höchste äußere Leckluftquote	%	N/A	
p1)	Tasso di miscela interno Internal mixing rate Taux de mélange interne Mischquote der Zuluftseite	%	N/A	
p2)	Tasso di miscela esterno External mixing rate Taux de mélange externe Mischquote der Abluftseite	%	N/A	
q)	Segnale avvertimento filtro Visual filter warning Alarme visuelle des filtres optischen Filterwarnanzeige	-	N/A	
r)	Istruzioni installazione griglie Instructions to install regulated grilles Instructions de l'installation de grilles réglementées Anweisungen zur Anbringung regelbarer Gitter	-	Vedere libretto istruzioni Check the instruction booklet Voir le manuel d'instructions Sehen Sie die Montageanweisungen	
s)	Indirizzo Internet istruzioni di pre/disassemblaggio Internet address for pre/disassembly instructions Adresse internet concernant les instructions de pré/démontage Internetanschrift für Anweisungen zur Vormontage/Zerlegung	-		
t)	Sensibilità del flusso alle variazioni di pressione Airflow sensitivity to pressure variations Sensibilité du flux d'air aux variations de pression Druckschwankungsempfindlichkeit des Luftstroms	%	6	
u)	Tenuta all'aria interna/esterna Indoor/outdoor air tightness Étanchéité à l'air intérieur/extérieur Luftdichtheit zwischen innen und außen	m ³ /h	20	
v1)	Consumo annuo di energia (AEC) climi caldi AEC - Annual electricity consumption - warm climates Consommation d'électricité annuelle (CEA) en climat chaud jährlicher Stromverbrauch (JSV) für warmen Klimatyp	kWh	3,5	2,1
v2)	Consumo annuo di energia (AEC) climi temperati AEC - Annual electricity consumption - average climates Consommation d'électricité annuelle (CEA) en climat moyen jährlicher Stromverbrauch (JSV) für durchschnittlichen Klimatyp	kWh	3,5	2,1
v3)	Consumo annuo di energia (AEC) climi freddi AEC - Annual electricity consumption - cold climates Consommation d'électricité annuelle (CEA) en climat froid jährlicher Stromverbrauch (JSV) für kalten Klimatyp	kWh	3,5	2,1
w1)	Risparmio di riscaldamento annuo (AHS) climi caldi AHS - Annual heating saved - warm climates Économie annuelle de chauffage (EAC) en climat chaud jährlicher Einsparung an Heizenergie (JEH) für warmen Klimatyp	kWh	7,8	12,8
w2)	Risparmio di riscaldamento annuo (AHS) climi temperati AHS - Annual heating saved - average climates Économie annuelle de chauffage (EAC) en climat moyen jährlicher Einsparung an Heizenergie (JEH) für durchschnittlichen Klimatyp	kWh	17,2	28,3
w3)	Risparmio di riscaldamento annuo (AHS) climi freddi AHS - Annual heating saved - cold climates Économie annuelle de chauffage (EAC) en climat froid jährlicher Einsparung an Heizenergie (JEH) für kalten Klimatyp	kWh	33,6	55,4