

# DC 125

**GEL DEEP CYCLE**  
12V | 125Ah | 100h



## Electrical Specifications

Nominal voltage	12V
Capacity (25°C)	100Ah @ C <sub>10</sub> (10A)
Internal resistance (25°C)	4.5mΩ
Temperature Effect on Capacity	104% at 40°C 100% at 25°C 83% at 0°C 65% at -15°C
Residual capacity after storage (25°C)	3 months: 91% 6 months: 82% 12 months: 65%
Constant charging voltage Cycle (25°C)	14.5 to 14.9V (initial charging current < 31.5A)
Constant charging voltage Float (25°C)	13.6 to 13.8V

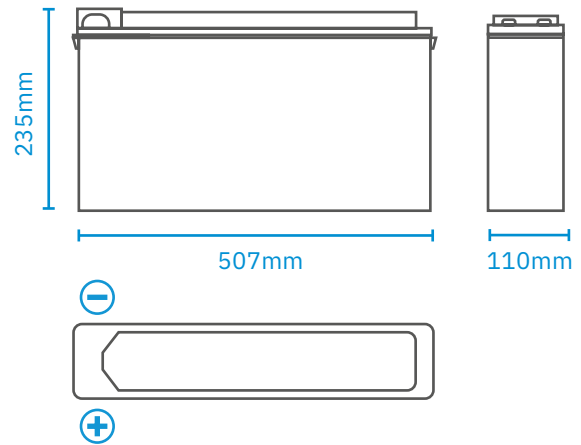
## Discharge Specifications

Capacity C <sub>100</sub>	125Ah
Capacity C <sub>20</sub>	115Ah
Capacity C <sub>10</sub>	105Ah
Capacity C <sub>5</sub>	97Ah
Capacity C <sub>3</sub>	80Ah
Discharge Current Testing (25°C)	1 hours rate (57.8A): 59Ah 3 hours rate (31.5A): 80Ah

## Mechanical Specifications

Measurements (L × W × H)	507 × 110 × 235 mm
Approx. Weight	31.3kg
Terminal Type	T3

## Measurements



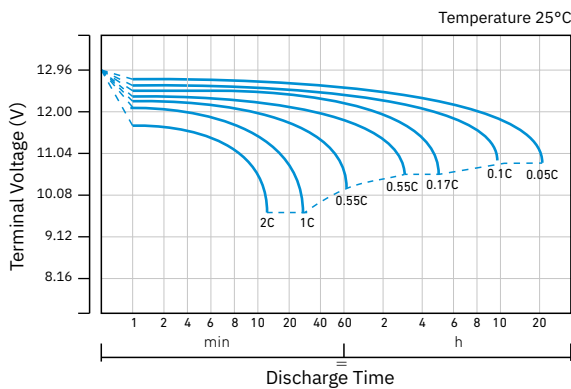
## Constant Current Discharge Characteristics (A) 25°C

F.V. / Time	10 min	15 min	30 min	60 min	2 h	3 h	5 h	8 h	10 h	20 h
<b>9.60V</b>	228.8	182.0	112.3	67.6	38.0	27.5	19.2	12.7	10.7	5.6
<b>10.2V</b>	217.4	174.7	108.2	64.9	37.4	27.0	18.9	12.6	10.6	5.6
<b>10.5V</b>	211.1	170.6	105.0	63.5	37.1	26.8	18.7	12.6	10.5	5.5
<b>10.8V</b>	203.8	166.4	102.8	61.7	36.7	26.5	18.5	12.5	10.5	5.5

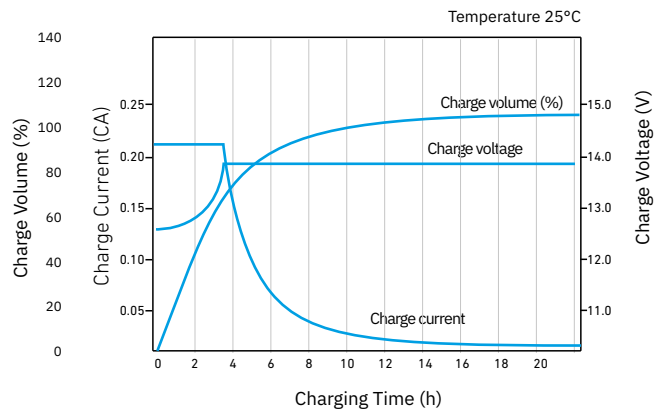
### Constant Power Discharge Characteristics 25°C

F.V. / Time	10 min	15 min	30 min	60 min	2 h	3 h	5 h	8 h	10 h	20 h
<b>9.60V</b>	2471.0	1998.9	1260.5	770.6	439.9	322.4	227.8	151.8	127.9	67.4
<b>10.2V</b>	2347.3	1918.8	1213.7	739.4	433.7	318.2	223.6	150.8	126.9	66.8
<b>10.5V</b>	2279.7	1872.0	1203.3	735.3	429.5	315.1	220.5	150.4	125.8	66.4
<b>10.8V</b>	2201.7	1827.3	1153.4	703.0	425.4	312.0	218.4	149.8	124.3	66.1

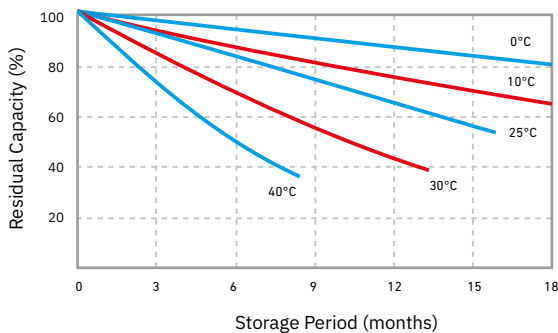
Discharge Characteristics Curve



Charge Characteristics Curve For Cycle Use (IU)



Residual Capacity



Float Life

