

LiFePO4 Battery System for Households



# USER GUIDE

LiFePO4 Battery System for Households



# Contents

1 ABOUT THIS MANUAL .....	1
1.1 Purpose .....	1
1.2 Scope .....	1
1.3 Safety Instructions .....	1
2 INTRODUCTION .....	2
2.1 Features.....	2
2.2 Product Overview .....	2
2.3 Specifications .....	3
2.4 Recommended Settings .....	3
3. INSTALLATION .....	4
3.1 Unpacking and Inspection .....	4
3.2 Mounting the Unit .....	4
3.3 Connection for Parallel Mode .....	5
4. OPERATION .....	7
4.1 Switch On/Off.....	7
4.2 LCD Display Icons.....	8
4.3 BMS information Page.....	9
4.4 Fault Code Table.....	10
4.5 DIP switch SW1-SW4 Description.....	11
5. EMERGENCY SITUATIONS .....	12
5.1 Fire .....	12
5.2 Leaking Batteries .....	12
5.3 Wet Batteries .....	12
5.4 Warranty .....	12

# 1 ABOUT THIS MANUAL

## 1.1 Purpose

This manual describes the introduction, installation, operation and emergency situations of the battery bank. Please read this manual carefully before installations and operations. Keep this manual for future reference.

## 1.2 Scope

This manual provides safety and installation guidelines as well as information on tools and wiring.

## 1.3 Safety Instructions

**WARNING:** This chapter contains important safety and operating instructions. Read and keep this manual for future reference.

1. Before using the unit, read all instructions and cautionary markings on the unit, the batteries and all appropriate sections of this manual.
2. CAUTION --- To reduce risk of injury, damage, even burst. please use it following using manual. In case of causing personal
3. Do not disassemble the battery. Take it to a qualified service center when service or repair is required. Incorrect re-assembly may result in a risk of fire.
4. To reduce risk of electric shock, disconnect all wirings before attempting any maintenance or cleaning. Turning off the unit will not reduce this risk.
5. CAUTION – Only qualified personnel can install this device with inverter.
6. For optimum operation of this battery, please follow required spec to select appropriate cable size.
7. Be very cautious when working with metal tools on or around batteries. A potential risk exists to drop a tool to spark or short circuit batteries or other electrical parts and could cause an explosion or fire.
8. Please strictly follow installation procedure.
9. **GROUNDING INSTRUCTIONS** - This System should be connected to a permanent grounded wiring system. Be sure to comply with local requirements.
10. NEVER cause AC output and DC input short circuited. Do not connect to the mains when DC input short circuits.
11. Warning!! Only qualified service persons are able to service this device.
12. Battery should be installed indoor and kept away from water, high temperature mechanical force and flames.
13. Do not install the battery in any environment of temperature below 0°C or over 55°C, and humidity over 80%.
14. Do not put any heavy objects on the battery.

## 1.4 Can be connected in parallel

1. The batteries can be connected in parallel. Series connection is not allowed. Use in upright position only.
2. The batteries are not allowed to connected with PWM controller for charging.

**Special Attention:** Due to the built-in protection board of the lithium battery pack is with over-discharge protection function, it is strongly recommended to stop using the load when the battery pack is over-discharged. The battery pack cannot be repeatedly activated for discharge. Or the battery may be failed to be activated by the AC or PV activation cable (It requires a special charging activation method), so cannot be charged. Therefore, when the battery pack is low power, please charge the battery as soon as possible when main power or solar energy is available.

# 2. INTRODUCTION

The battery system main using Solar power system for Family house. It also have a with to controller the battery easily and protect our Household application timely.

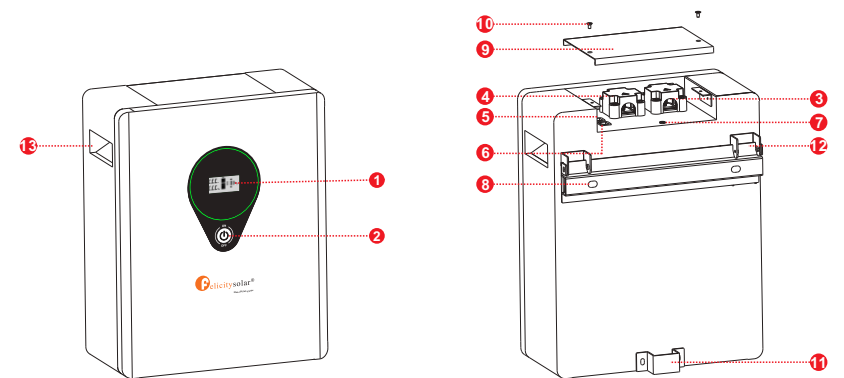
## 2.1 Features

- Iron phosphate-lithium power battery
- Long warranty period:5 years
- Higher energy density, smaller volumn for household.
- Support connected in parallel mode for expansion
- Photovoltaic system: This battery pack is designed for household photovoltaic systems.
- Battery management system (BMS): The battery packs built-in BMS monitors its operation and prevents the battery from operating outside design limitations.
- Expandability: This battery pack can be easily expanded by adding expansion battery packs in parallel connection.

## 2.2 Product Over View



24V Front view



- |                               |                                |                       |
|-------------------------------|--------------------------------|-----------------------|
| 1. LCD display                | 2. Power On/Charging indicator | 3. Battery Negative - |
| 4. Battery Positive +         | 5. Dial switch                 | 6. Communication port |
| 7. Grounding port             | 8. Wall mounted fixing         | 9. Wiring cover plate |
| 10. Cover plate fixing screws | 11. Wall mounted support frame | 12. hangers           |
| 13. handle                    |                                |                       |

### 2.3 Specifications

Model	LPBF24100-M
Usable Capacity	2.5KWH
Nominal Voltage	25.6
Voltage Range	24-28.8
MAX. Charge & Discharge Current	110A@120S
Recommend Charge & Discharge Current	≤60A
MAX. Output Power	2750W
Recommend Output Power	1500W
DOD	≥95%
Modules Connection	1~6in parallel
Communication	CAN&RS485
Ingress Protection	IP21
Cycle Life	≥6000@25°C, 80%DOD
Working Temperature Range	Discharge:-20°C to +65°C, Charge:+0°C to +55°C
Net Weight(KG)	22KG
Gross Weight(KG)	26KG
Product Dimension(MM)	345x430x195MM
Package Dimension(MM)	437x527x243MM

### 2.4 Recommended Settings

Lithium battery pack is not same as lead-acid battery, so for the devices which you connect with the battery pack for charging or discharging, such as inverters, MPPT charger controllers or UPS, please implement pre-settings as recommended settings as below before you launched them.

Setting	LPBF24100-M
Max. Charging Voltage	28.8V
Floating charging Voltage	28.8V
Max. Charging Current	60A*N
Cut-off voltage	24V

Notes: "N" means the number of battery packs connected in parallel.

## 3. INSTALLATION

### 3.1 Unpacking and Inspection

Before installation, please inspect the unit. Be sure that nothing inside the package is damaged. You should have received the following items inside of package.

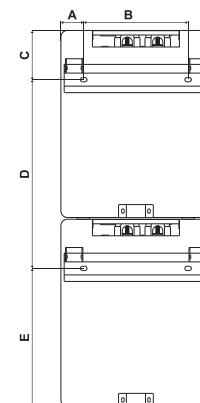
NO	NAME	SPECIFICATION	PICTURE
1	Wall mount	Wall mount bracket	
2	Communication line	Used for Communication among batteries	
3	Screw	Mounting screw	
4	User manual	User manual	
5	Guarantee card	Guarantee card	
6	Cables	Used for battery parallel connection	
7	RS485 com line	Used for communication between battery and PCS	

### 3.2 Mounting the Unit

Consider the following points before selecting where to install:

- Do not mount the battery on flammable construction materials.
- The ambient temperature should be between 0°C and 45°C to ensure optimal operation.
- The recommended installation position is to be adhered to the wall vertically.
- Be sure to keep other objects and surfaces as shown in the right diagram to guarantee sufficient heat dissipation and to have enough space for removing wires.

	LPBF24100-M
A	53
B	240
C	113
D	434
E	321



Please follow below steps to implement battery connection:  
Assemble battery ring terminal based on recommended battery cable and terminal size.

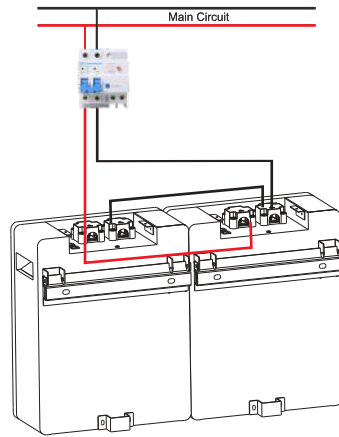
**Note:** if you need the battery wake-up when the grid back, connect the battery with grid use power adapter and communication line 1 shown in the package list.

### 3.3 Connection for Parallel Mode

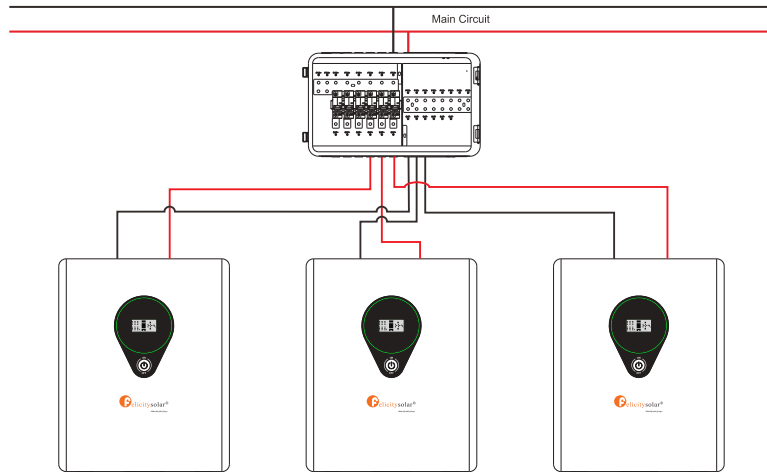
The eStrong LPBF series battery support to be connected in parallel for expansion. If you need one more battery bank work in parallel mode, connect the battery as shown in PIC 2



**Step 1:** The batteries are placed as shown in Figure 1



**Step 2:** The schematic diagram of the parallel connection of two battery packs is shown in Figure 2.



**Step 3:** The schematic diagram of the parallel connection of six battery packs is shown in Figure 3.

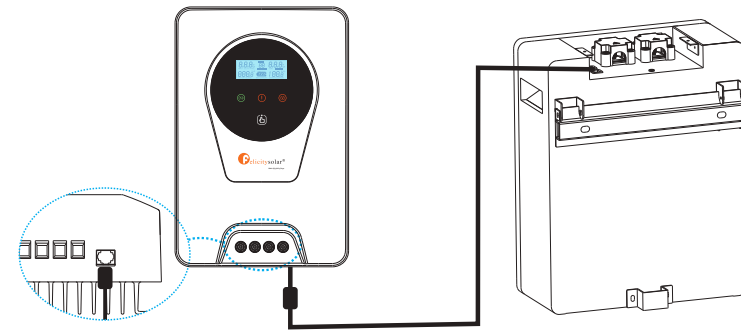
**Note:** After completing the above 4 steps, arbitrarily select the positive and negative poles of one of the battery packs to output (the upper battery pack or the lower battery pack, you can not select the positive and negative poles of the two battery packs at the same time). After confirming the correct connection of the inverter, controller and battery, you can turn on any of the switches and use the battery group happily.

Note: One group of LPBF can be stacked up to 2 layers, and up to 6 in parallel connection.



Front view

For pure off grid system ,the PV awake wire need to be connected with MPPT charge controller if the battery pack is charged by solar panels only . The connection diagram as below :



## 4. OPERATION

Once the batteries are connected well, simply press On/Off button to enable the output of the battery pack.



### 4.1 Switch On / Off

- 1.Switch on: press On/Off button to switch on the battery, then the battery will do self-inspection before enable output. The LCD will show the SOC.
  - 2.Switch off: press and hold On/Off button for 1to3 seconds, the battery will shut down directly.
- Description for Communication port

Picture	PIN	Description
	1	Trigger-GND
	2	Trigger-VCC
	3	CANL-PCS
	4	CANH-PCS
	5	RS485-B
	6	RS485-A
	7	CANL
	8	CANH

DIP SWITCH		
	1-4	Communication Address
	5	Termination Resister

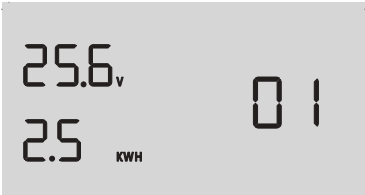
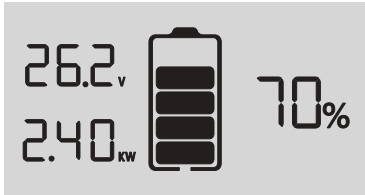
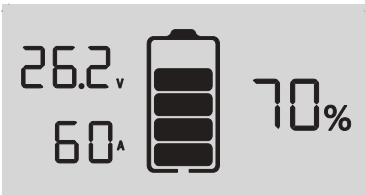
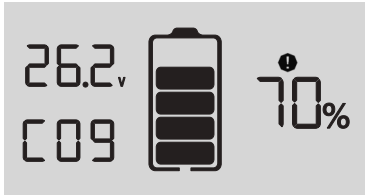
### 4.2 LCD Display icons

Icon	Function description
<b>Display Information</b>	
8.8.8 <sub>v</sub>	Indicates battery voltage.
8.8.8 <sub>A_KWH</sub>	Indicates battery current or watt Short press the switch button to switch watt and current
188%	Indicate SOC.
<b>Battery Information</b>	
	Indicates battery level by 0-20%, 21-40%, 41-60%, 61-80%, 81-100%. (When charging, this icon is displayed for horse running; When discharging, the icon displays constant).
<b>Fault information</b>	
	Indicates a fault.
<b>set information</b>	
	Indicates settings.

### 4.3 BMS information Page

The basic information will be displayed in turn after power on.

BMS power on information	BMS address / version
BMS information is all on. 	Eg: "515" is the software version ; "400" is the IAP version and temporary version ; "02" is the countdown. 

<p><b>BMS type</b> Eg: Rated voltage is "25.6V"; model is "2.50KWH", "01" is the countdown.</p> 	<p><b>BMS data</b> Eg: "23.2V" / "2.40KW" / "70%" refers to battery voltage, power and SOC.</p> 
<p><b>BMS data</b> Eg: "26.2V" / "60A" / "70%" refers to battery voltage, current and SOC.</p> 	<p><b>BMS fault code / flag</b> Eg: "26.2V" / "C09" / "70%" are battery voltage, fault code and SOC respectively, and Fault icon constant.</p> 

**4.4 Fault Code Table**

Fault Code	Fault information	Trouble Shooting
C01	Battery overvoltage	Restart the unit, if the error happens again, please return to repair center.
C02	Battery undervoltage	Restart the unit, if the error happens again, please return to repair center.
C03	Single cell overvoltage	Restart the unit, if the error happens again, please return to repair center.
C04	Single cell undervoltage	Restart the unit, if the error happens again, please return to repair center.
C05	Battery charge overcurrent	Restart the unit, if the error happens again, please return to repair center.
C06	Battery discharge overcurrent	Restart the unit, if the error happens again, please return to repair center.
C07	MOS tube overtemperature	1. The inner temperature is over the limitation. 2. Check whether the ambient temperature is too high.
C08	MOS tube undertemperature	1. The internal temperature is lower than the limit range. 2. Check whether the ambient temperature is too low.
C09	Single cell overtemperature	Restart the unit, if the error happens again, please return to repair center.
C10	Single cell undertemperature	Restart the unit, if the error happens again, please return to repair center.
C11	Abnormal current sampling	Restart the unit, if the error happens again, please return to repair center.
C12	Abnormal output impedance	Restart the unit, if the error happens again, please return to repair center.
C13	Parallel failed	1. Please check if single unit is installed to parallel system. 2. If this error happens during parallel installation, please check wires connectio. If they are connected correctly, please finish parallel installation first, and then Restart the unit. 3. If the problem remains, please contact your installer.

**4.5 DIP switch SW1-SW4 Description**

DIP switch SW1-SW4 Description						
Sw1	SW2	SW3	SW4	Remarks	DIP switch SW5 Description <input type="checkbox"/>	
0	0	0	0	means ID=0,communication address is0x00/0x10	SW5	
1	0	0	0	means ID=1,communication address is0x01	1	
0	1	0	0	means ID=2,communication address is0x02		
1	1	0	0	means ID=3,communication address is0x03	0	
0	0	1	0	means ID=4,communication address is0x04		
1	0	1	0	means ID=5,communication address is0x05		
0	1	1	0	means ID=6,communication address is0x06		
1	1	1	0	means ID=7,communication address is0x07		
0	0	0	1	means ID=8,communication address is0x08		
1	0	0	1	means ID=9,communication address is0x09		
0	1	0	1	means ID=10,communication address is0x0A		
1	1	0	1	means ID=11,communication address is0x0B		
0	0	1	1	means ID=12,communication address is0x0C		
1	0	1	1	means ID=13,communication address is0x0D		
0	1	1	1	means ID=14,communication address is0x0E		
1	1	1	1	means ID=15,communication address is0x0F		
Remark : 1 in SW1-SW5 indicates ON status, and 0 indicates OFF status.						
Remark : When multiple battery packs communicate, the last battery pack SW5 needs to be in the ON status, otherwise the communication may have interference.						
Remark : When the battery pack ID is set to 0, it means stand-alone operation, and it is not necessary to detect whether the parallel condition is satisfied .						
Remark : When the battery pack ID is set to 1-15, it means that the parallel operation is required, and it is necessary to detect whether the parallel condition is satisfied .						
Remark : The parallel condition is that the difference between the battery voltage of the local battery and all the battery pack voltages is <3V, otherwise wait until the condition is satisfied						

**5. EMERGENCY SITUATIONS**

Felicity cannot guarantee eStrong battery absolute safety.

**5.1 Fire**

In case of fires, make sure that the following equipment is available near the system.

- SCBA (self-contained breathing apparatus) and protective gear in compliance with the Directive on Personal Protective Equipment 89/686/EEC.
  - NOVEC 1230, FM-200, or dioxide extinguisher
- Batteries may explode when heated above 150°C. KEEP FAR AWAY from the battery if it catches fire.

**5.2 Leaking Batteries**

If the battery pack leaks electrolyte, avoid contact with the leaking liquid or gas. If one is exposed the leaked substance, immediately perform the actions described below.

- Inhalation: Evacuate the contaminated area, and seek medical attention.
- Contact with eyes: Rinse eyes with running water for 5 minutes, and seek medical attention.
- Contact with skin: Wash the affected area thoroughly with soap and water, and seek medical attention.
- Ingestion: Induce vomiting, and seek medical attention.

**5.3 Wet Batteries**

If the battery pack is wet or submerged in water, do not let people access it, and contact your supplier for help.

**Damaged Batteries**

Damaged batteries are not fit for use and are dangerous and must be handled with the utmost care. It may leak electrolyte or produce flammable gas. If the battery pack seems to be damaged, pack it in its original container, and then return it to your supplier.

**5.4 Warranty**

Products that are operated strictly in accordance with the user manual are covered by the warranty. Any violation of this manual may void the warranty.

**Limitation of Liability**

Any product damage or property loss caused by the following conditions, Felicity does not assume any direct or indirect liability.

- Product modified, design changed or parts replaced.
- Changed, or attempted repairs and erasing of series number or seals;
- System design and installation are not in compliance with standards and regulations;
- The product has been improperly stored in end user's premises;
- Transport damage (including painting scratch caused by movement inside packaging during shipping). A claim should be made directly to shipping or insurance company.